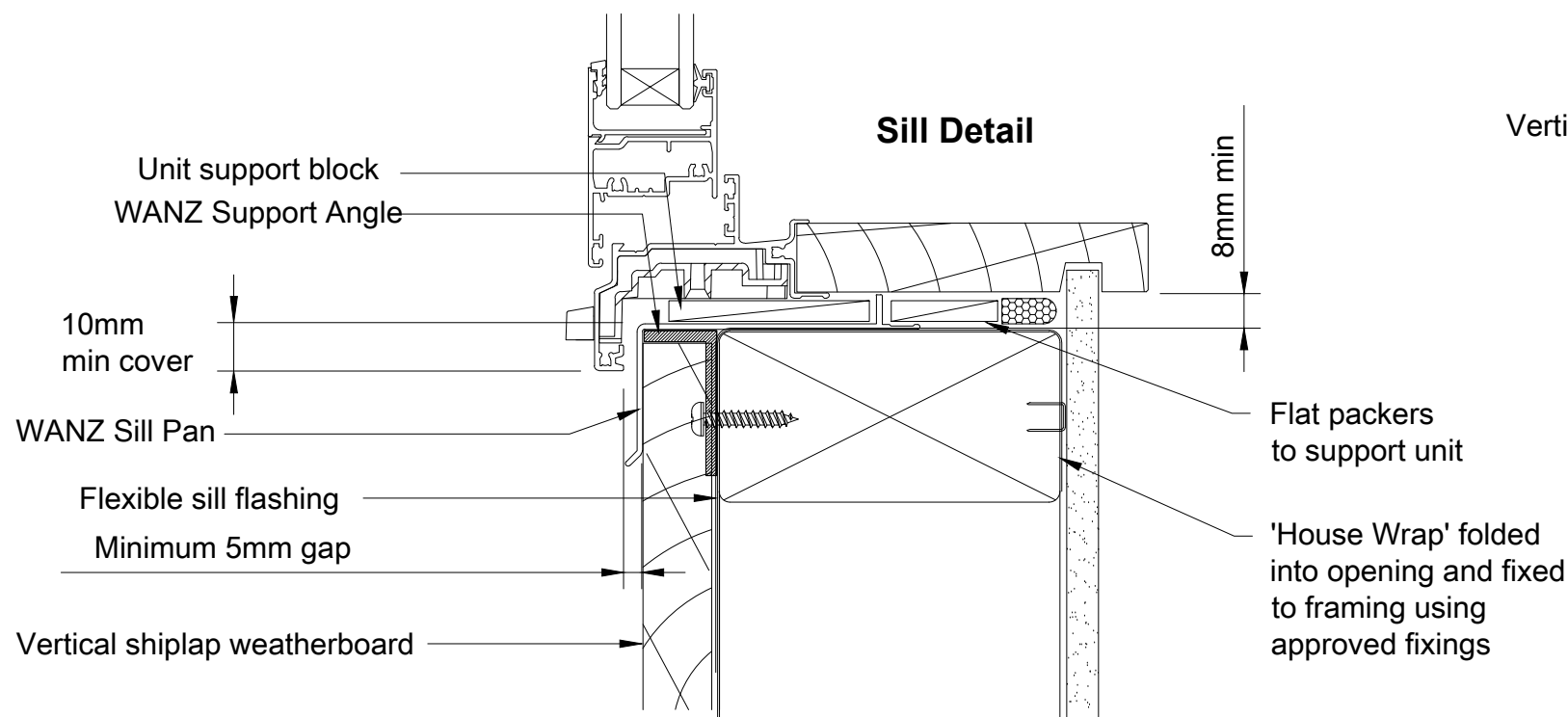
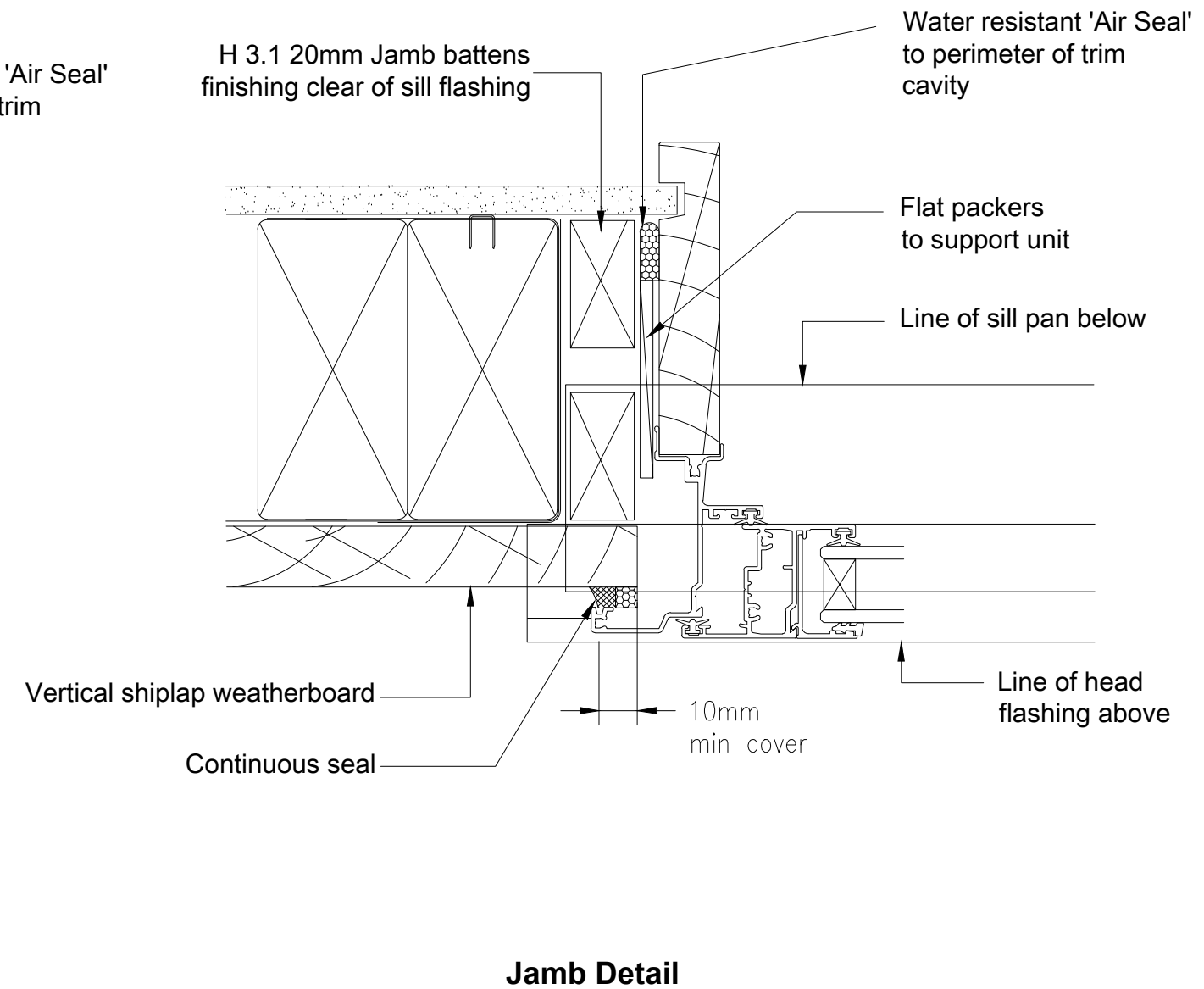


Note :  
Jamb battens are fitted after all of the trim preparation has been completed, including flashing tape, sill tray flashing and end stops.  
Jamb battens are to be full height.  
If jamb battens do not span the width of the framing then position them to align with the inner and outer faces.



DATE:  
07/04/2015

SCALE:  
1:2 @ A3

ISSUE:  
No: 002

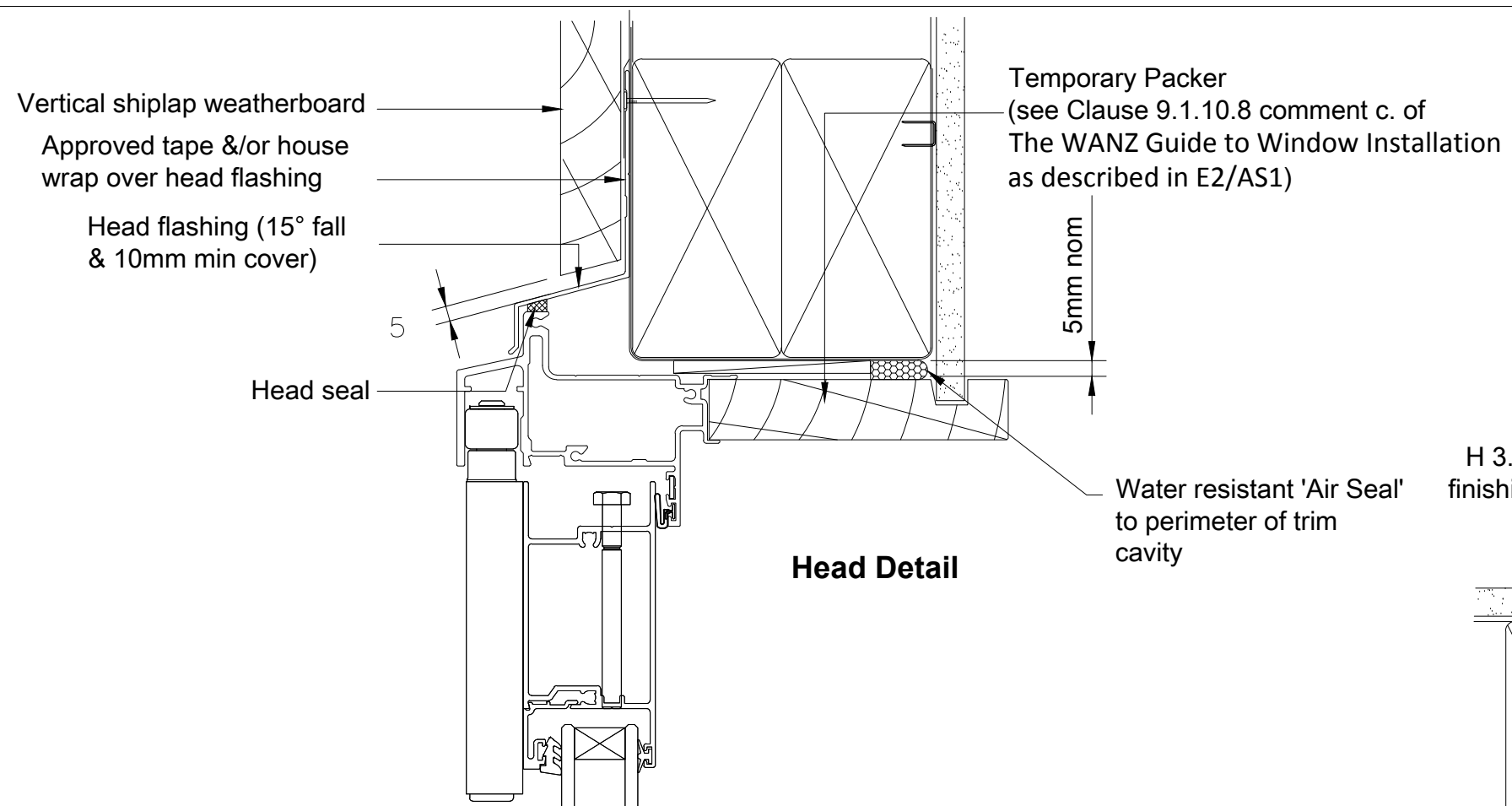
**WANZ WIS DIRECT FIX  
V/S WEATHERBOARD - AWNING WINDOW**

Page : dfVSWBaw

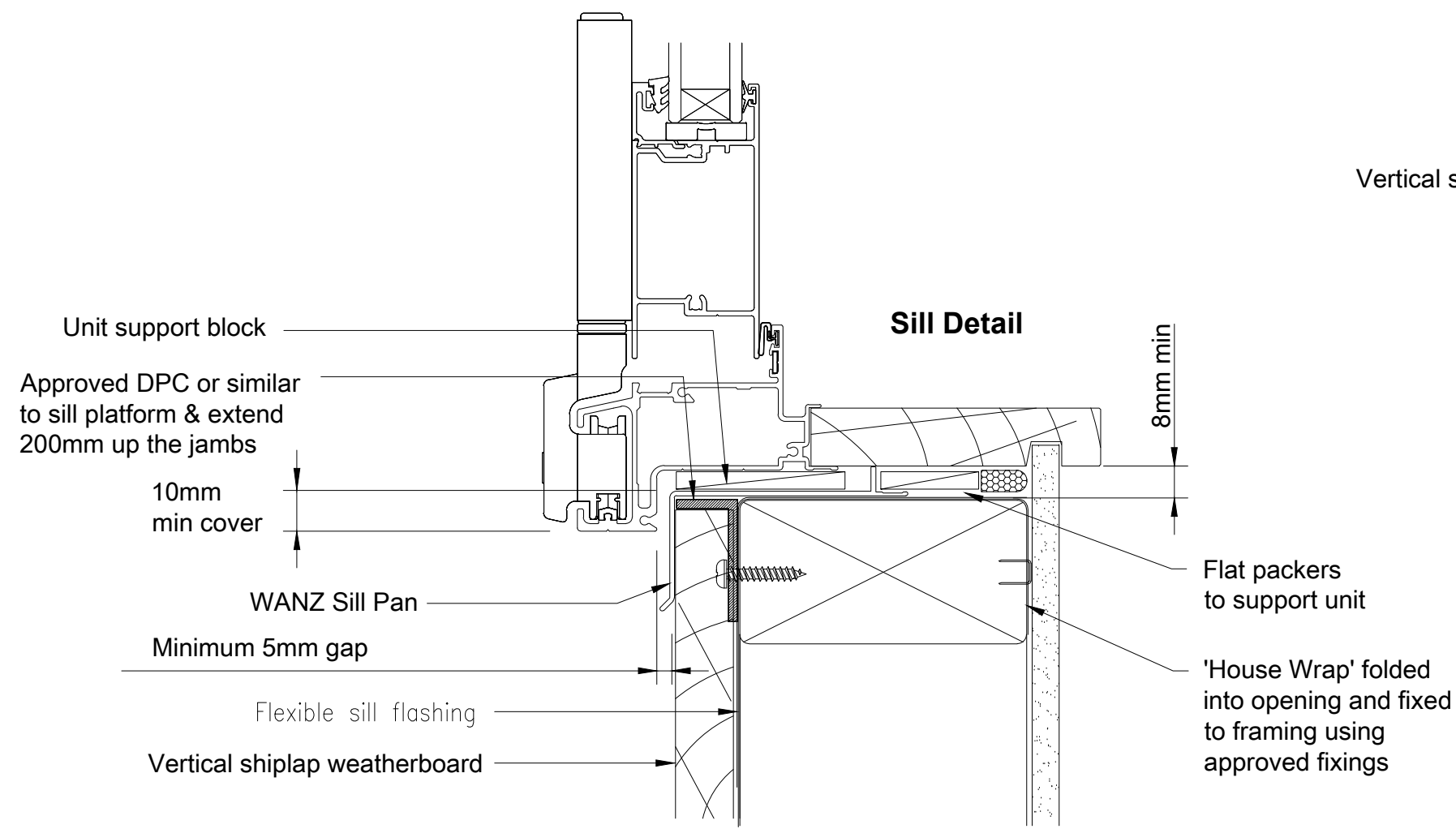
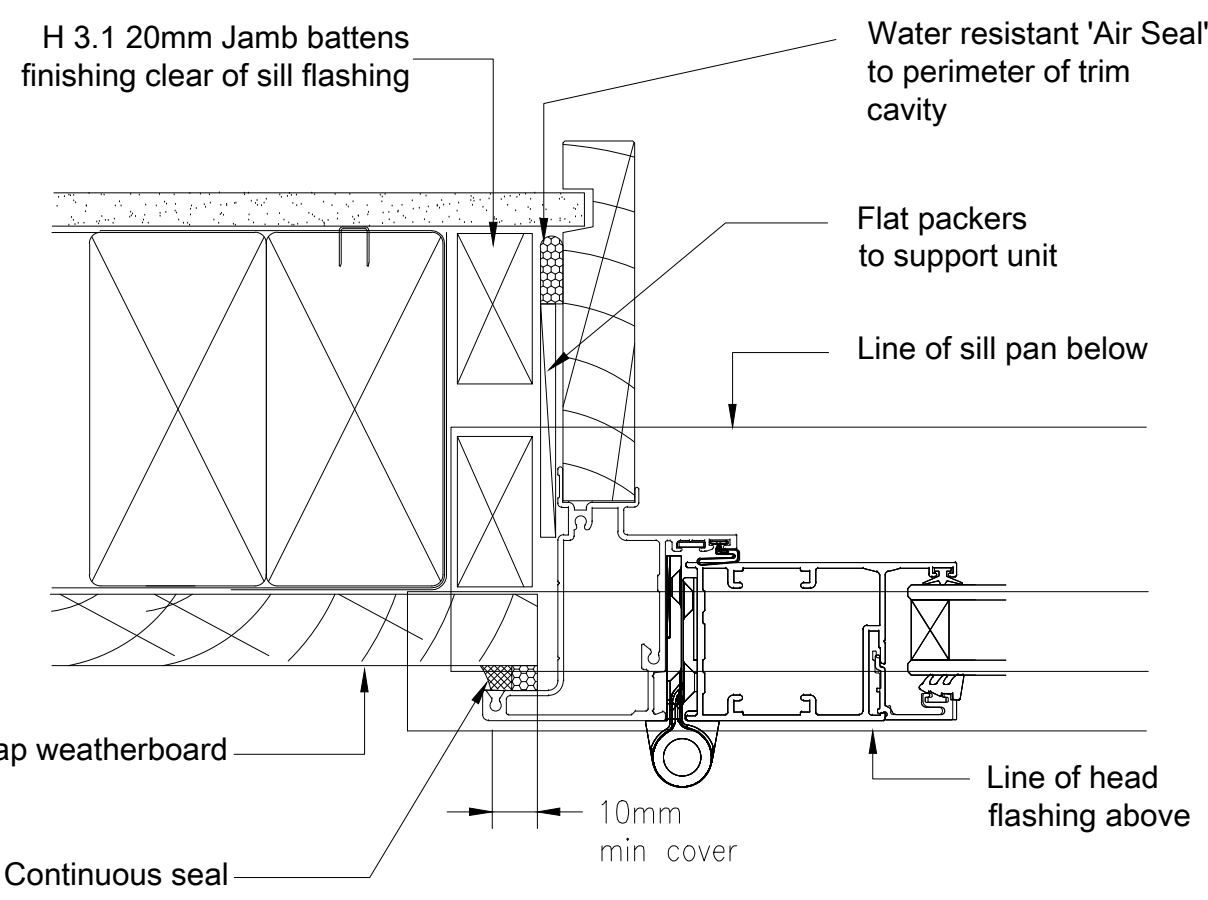
OMEGA Windows & Doors Ltd.  
36 Paraiti Road, Bell Block  
Private Bag 2007  
New Plymouth 4342  
TEL: 0800 500 141  
FAX: +64 6 755 9381  
www.omegawindows.co.nz

**OMEGA**  
WINDOWS + DOORS





Note :  
Jamb battens are fitted after all of the trim preparation has been completed, including flashing tape, sill tray flashing and end stops.  
Jamb battens are to be full height.  
If jamb battens do not span the width of the framing then position them to align with the inner and outer faces.



DATE:  
07/04/2015

SCALE:  
1:2 @ A3

ISSUE:  
No: 002

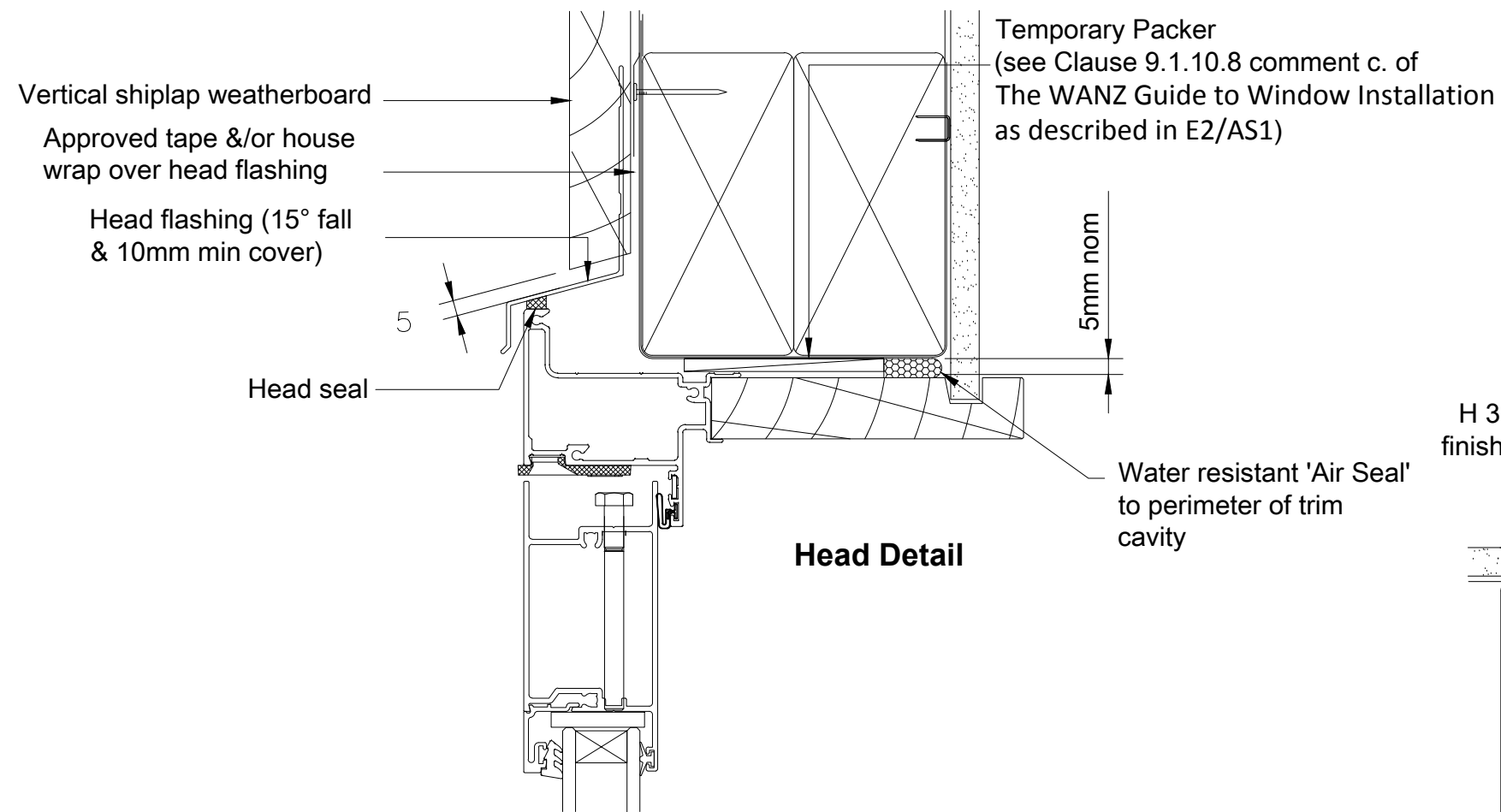
**WANZ WIS DIRECT FIX  
V/S WEATHERBOARD - BI FOLD WINDOW**

Page : dfVSWBbw

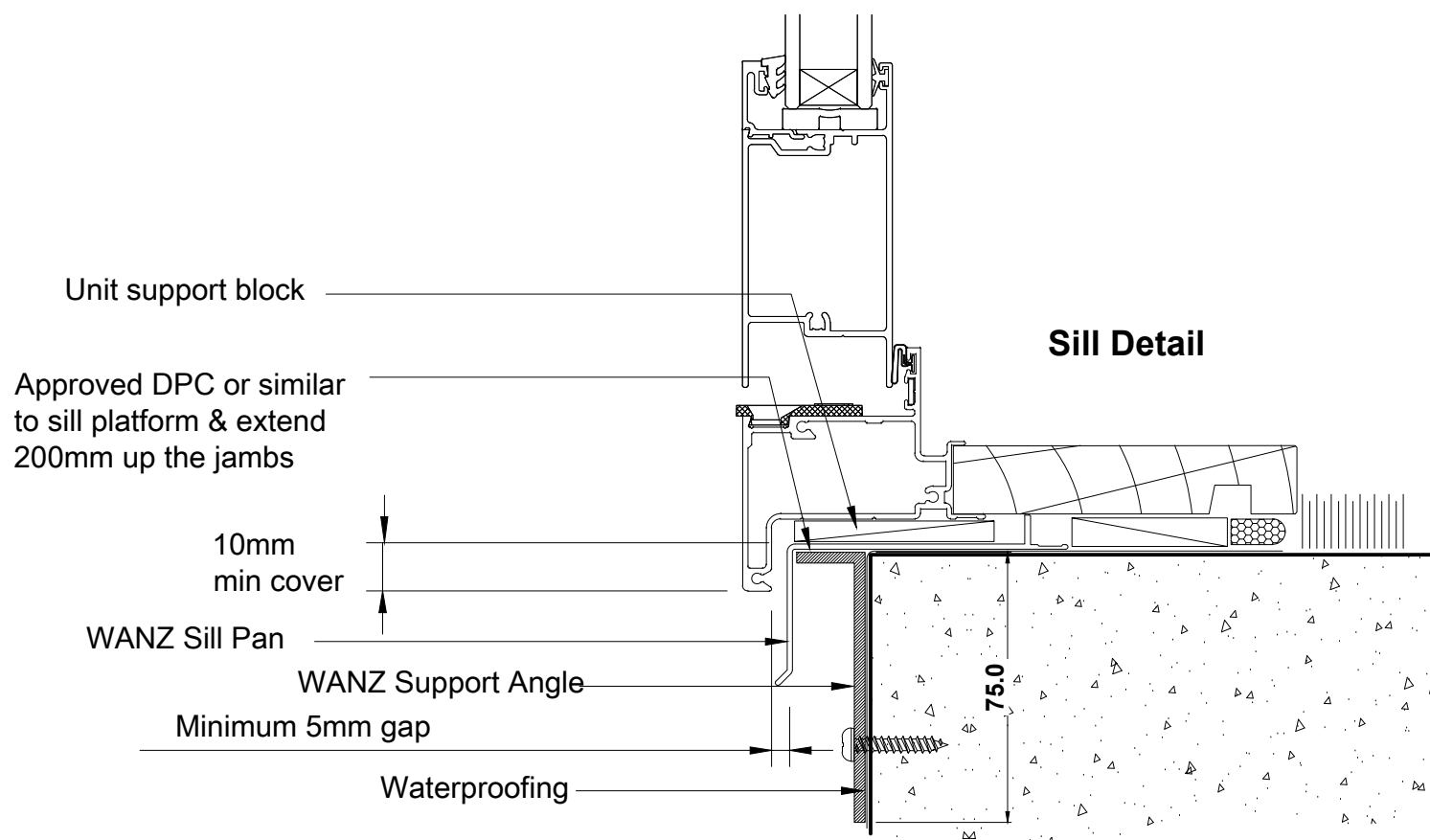
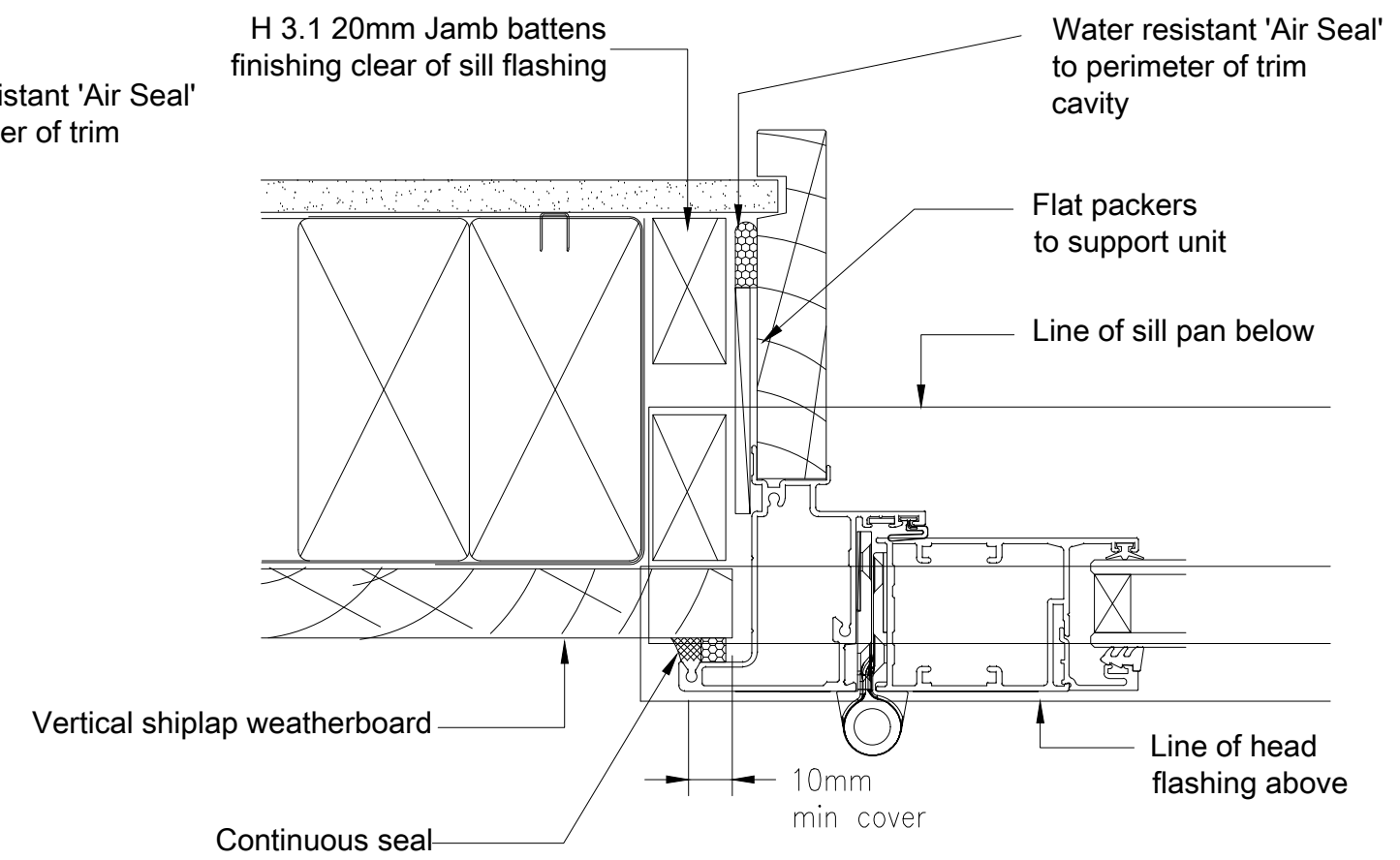
OMEGA Windows & Doors Ltd.  
36 Paraiti Road, Bell Block  
Private Bag 2007  
New Plymouth 4342  
TEL: 0800 500 141  
FAX: +64 6 755 9381  
www.omegawindows.co.nz



This document is intended as a guide only and is to be used in conjunction with The WANZ Guide to Window Installation as described in E2/AS1 Amendment 5 (see link below)  
<http://www.wanz.org.nz/download/WANZ%20Guide%20to%20E2%20AS1%20Amd%206%20V1.3%20Dec%202014.pdf>



Note :  
Jamb battens are fitted after all of the trim preparation has been completed, including flashing tape, sill tray flashing and end stops.  
Jamb battens are to be full height.  
If jamb battens do not span the width of the framing then position them to align with the inner and outer faces.



DATE:  
07/04/2015

SCALE:  
1:2 @ A3

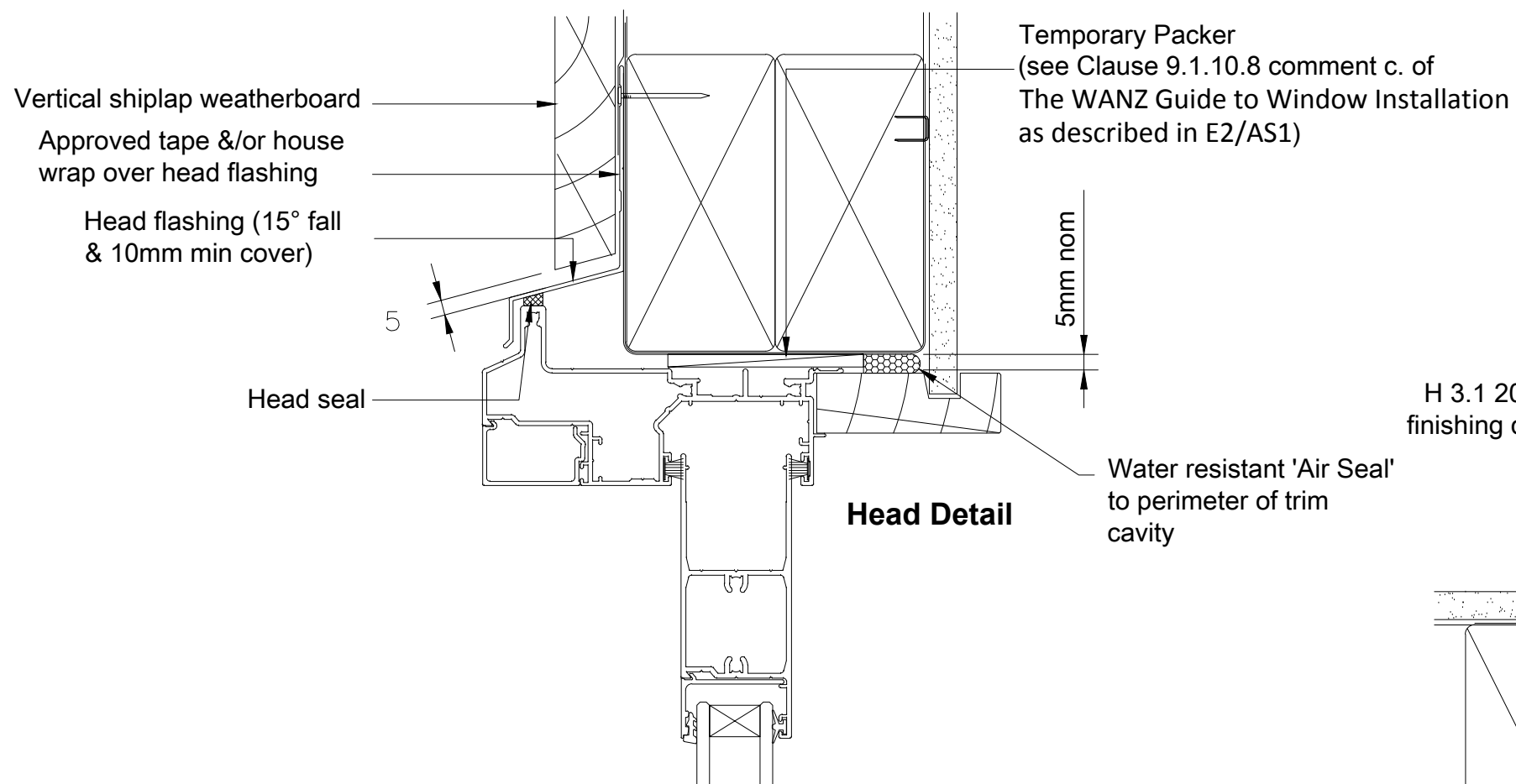
ISSUE:  
No: 003

**WANZ WIS DIRECT FIX  
V/S WEATHERBOARD - HINGED DOOR**

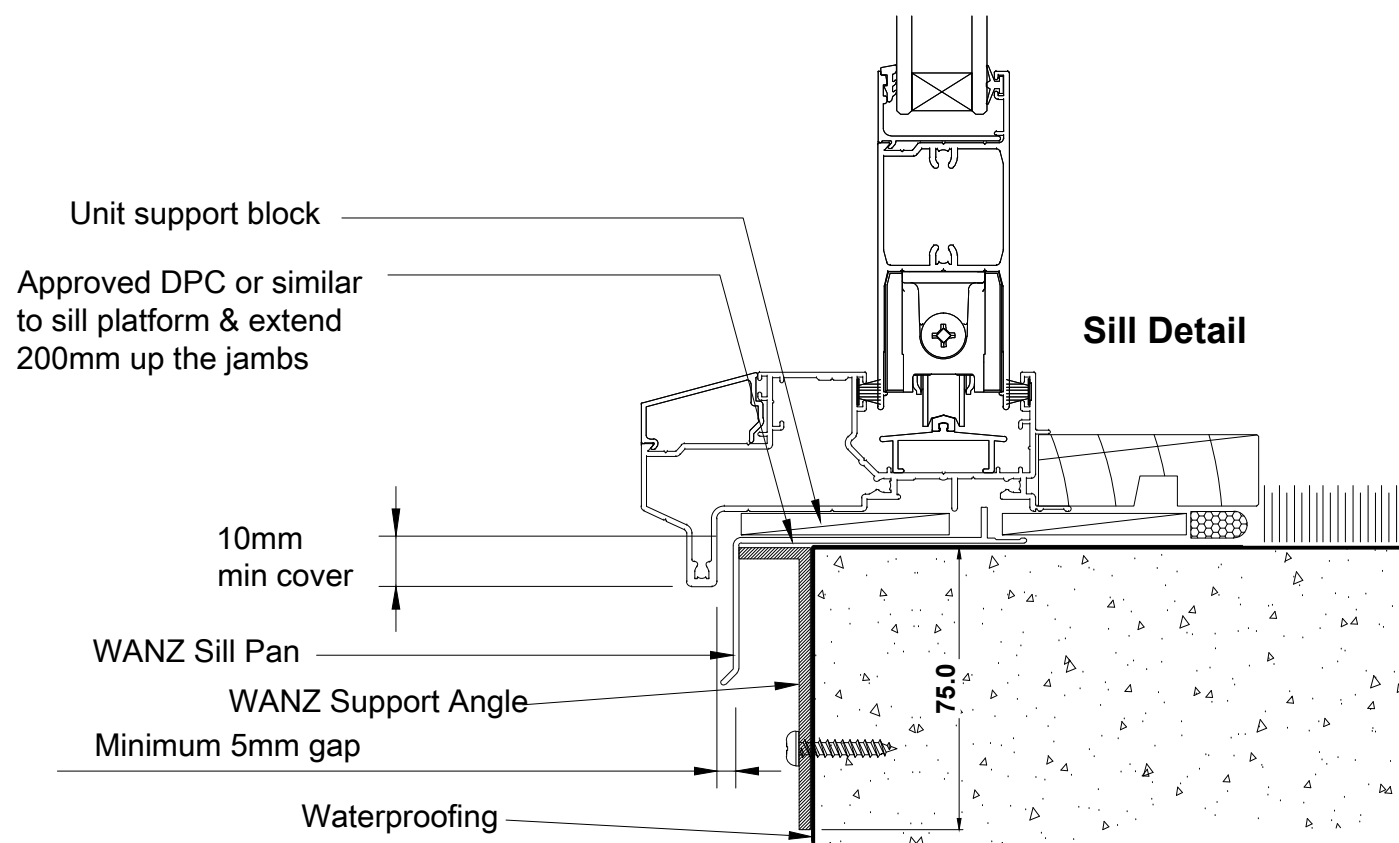
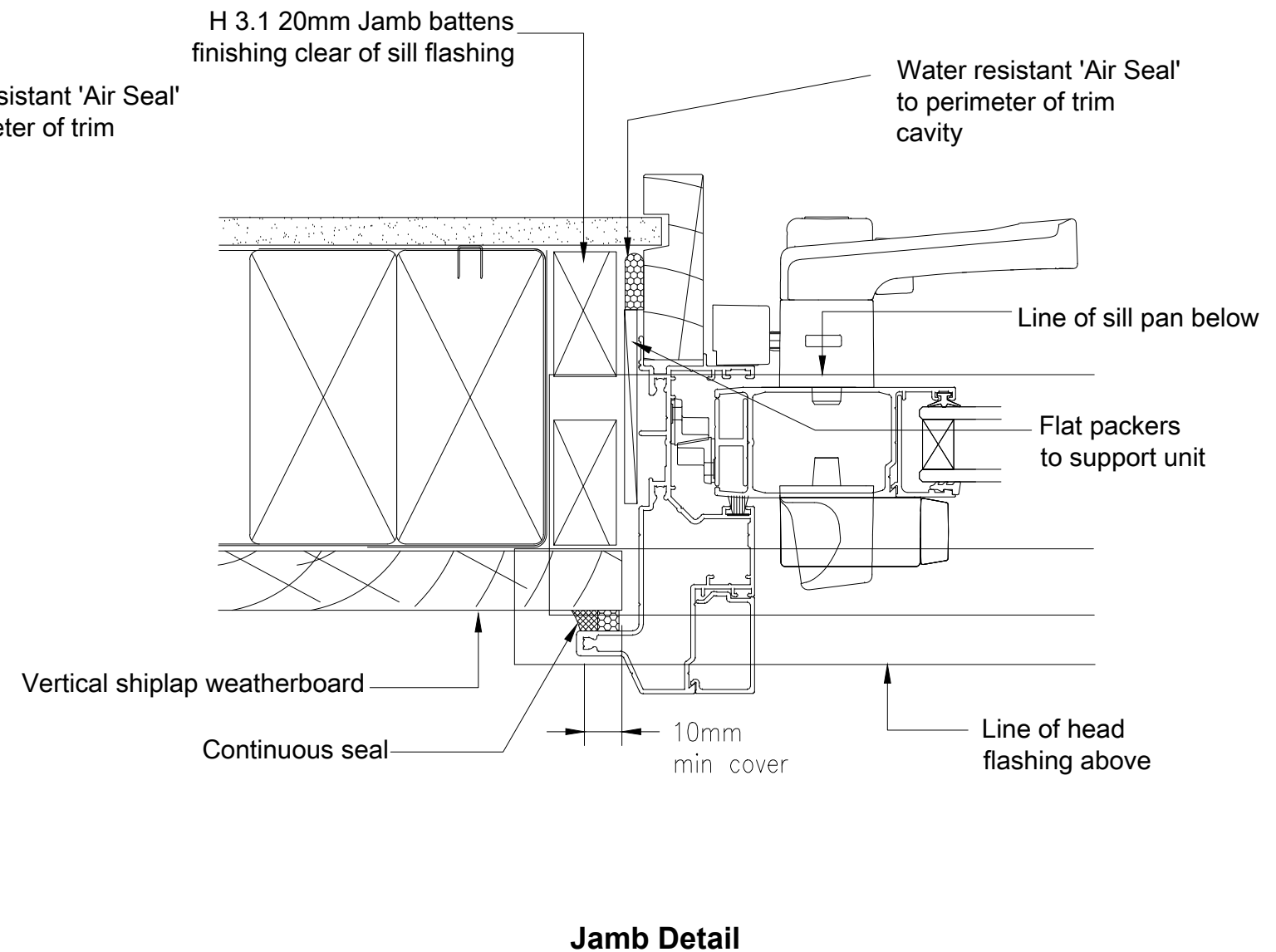
Page : dfVSWBhd

OMEGA Windows & Doors Ltd.  
36 Paraiti Road, Bell Block  
Private Bag 2007  
New Plymouth 4342  
TEL: 0800 500 141  
FAX: +64 6 755 9381  
www.omegawindows.co.nz





Note :  
 Jamb battens are fitted after all of the trim preparation has been completed, including flashing tape, sill tray flashing and end stops.  
 Jamb battens are to be full height.  
 If jamb battens do not span the width of the framing then position them to align with the inner and outer faces.



DATE:  
07/04/2015

SCALE:  
1:2 @ A3

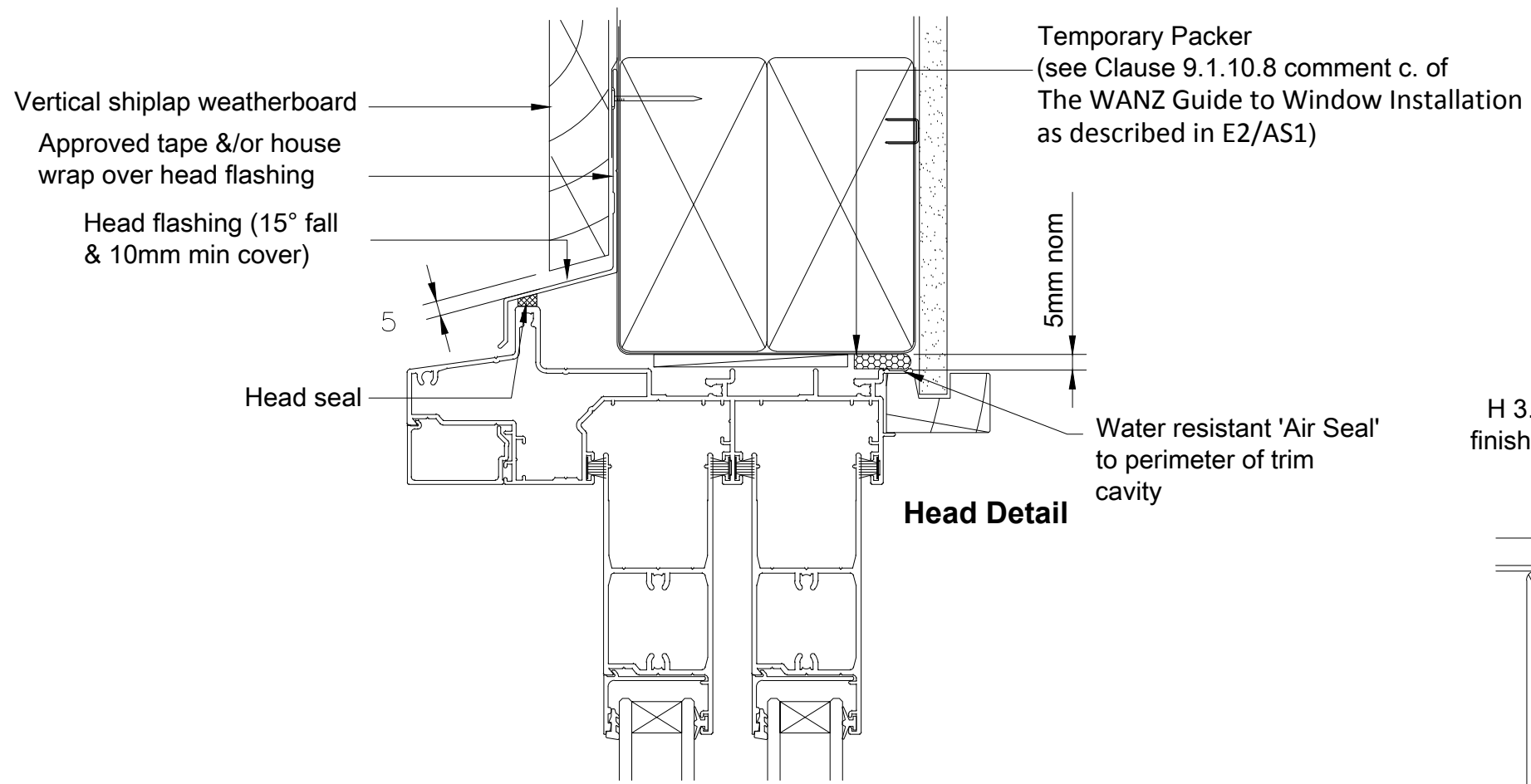
ISSUE:  
No: 003

**WANZ WIS DIRECT FIX  
 V/S WEATHERBOARD - SLIDING DOOR**

Page : dfVSWBslid

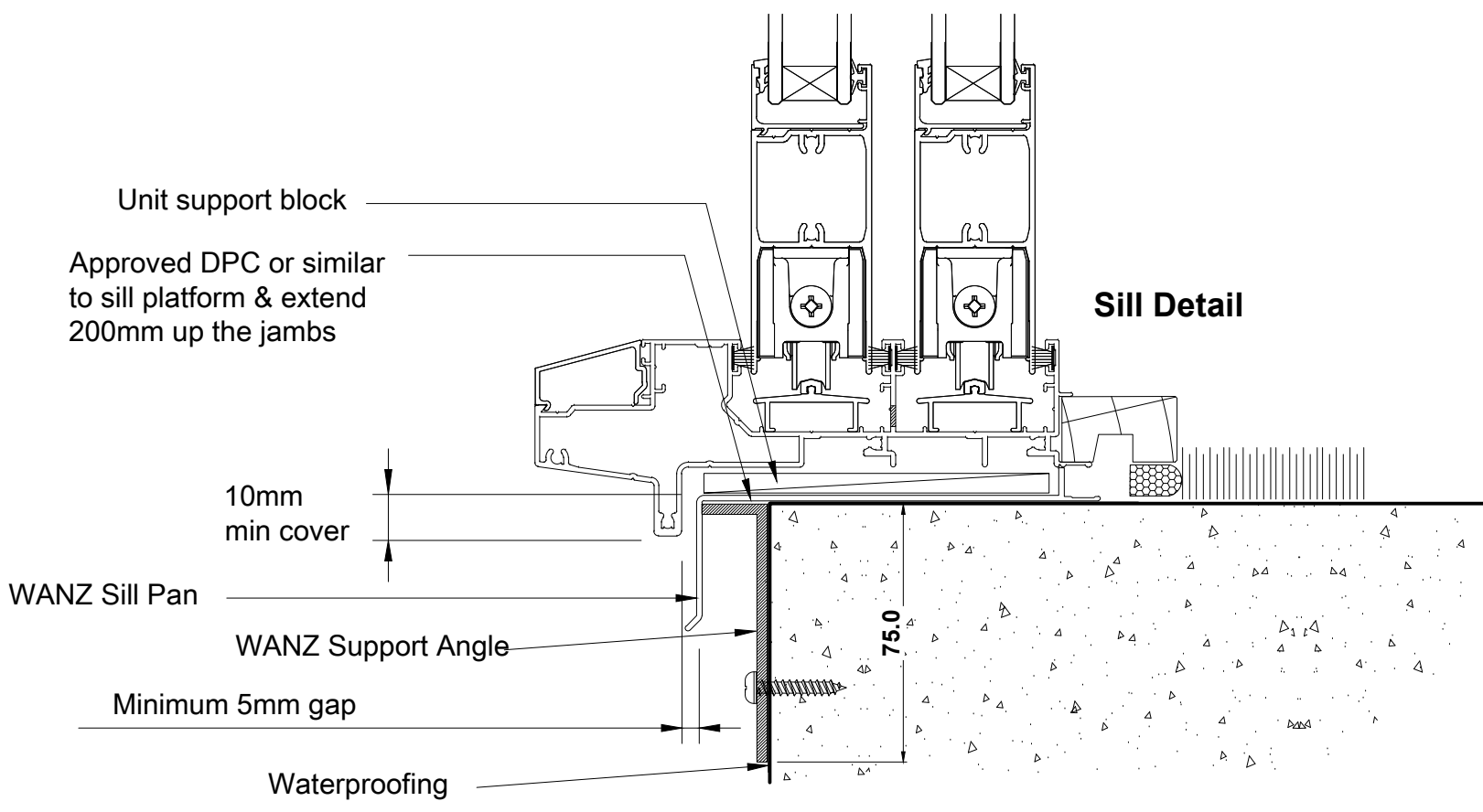
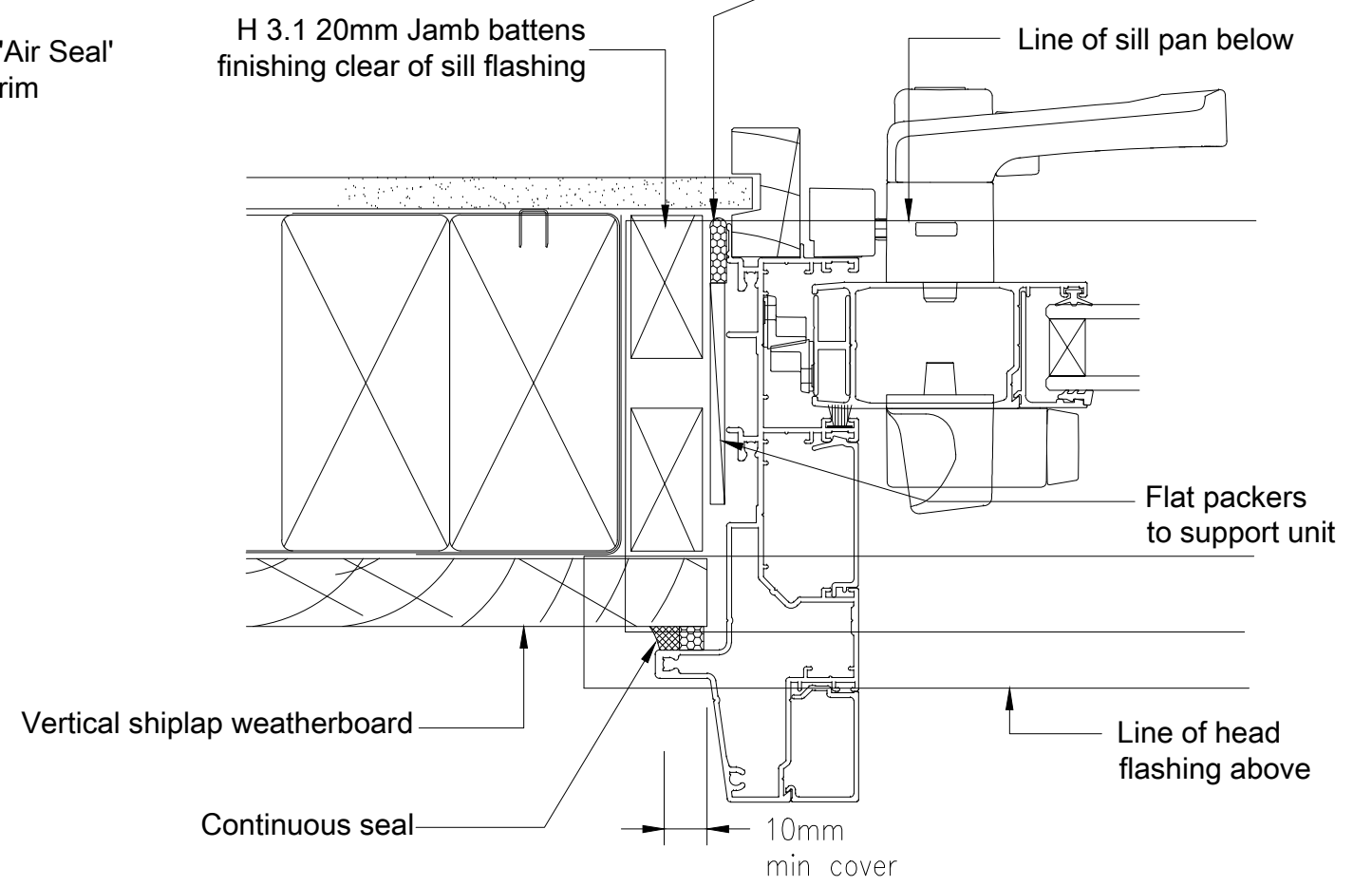
OMEGA Windows & Doors Ltd.  
 36 Paraiti Road, Bell Block  
 Private Bag 2007  
 New Plymouth 4342  
 TEL: 0800 500 141  
 FAX: +64 6 755 9381  
 www.omegawindows.co.nz





Note :  
 Jamb battens are fitted after all of the trim preparation has been completed, including flashing tape, sill tray flashing and end stops.  
 Jamb battens are to be full height.  
 If jamb battens do not span the width of the framing then position them to align with the inner and outer faces of cavity

Water resistant 'Air Seal' to perimeter of trim cavity



DATE:  
07/04/2015

SCALE:  
1:2 @ A3

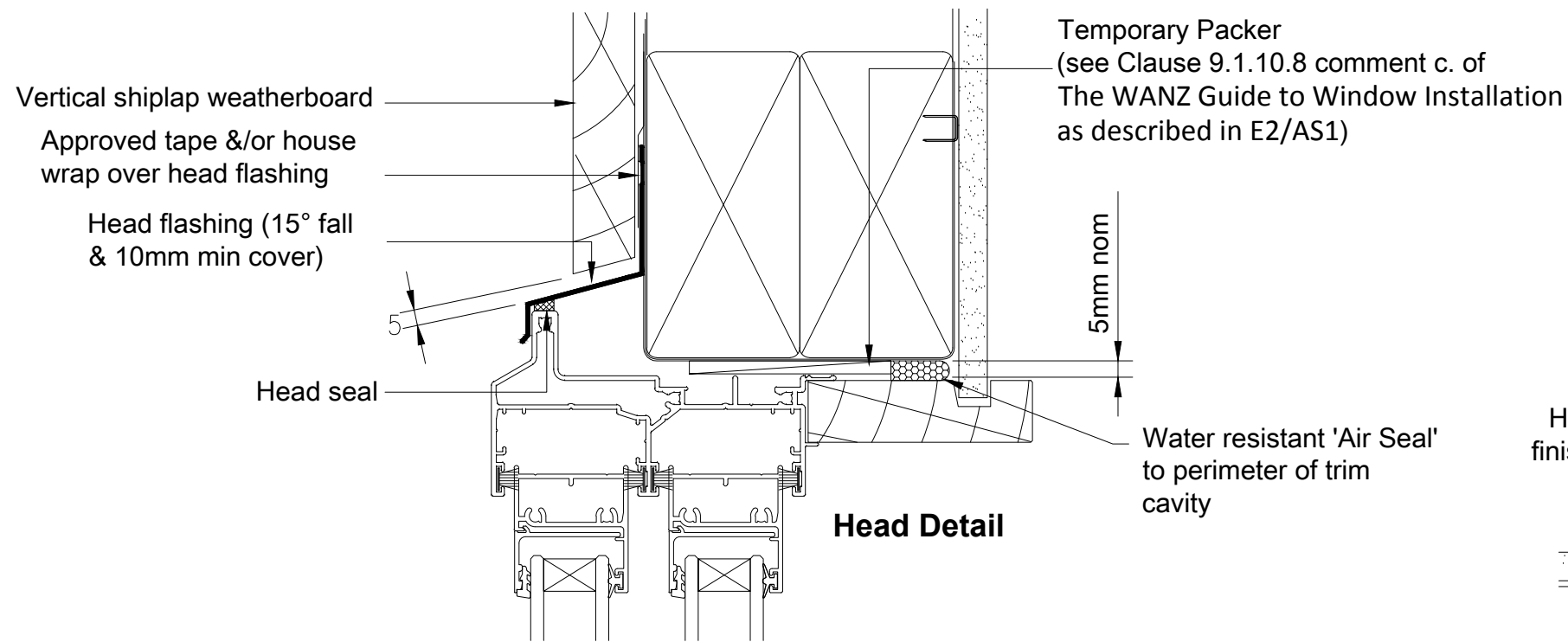
ISSUE:  
No: 003

**WANZ WIS DIRECT FIX  
 V/S WEATHERBOARD - STACKER DOOR**

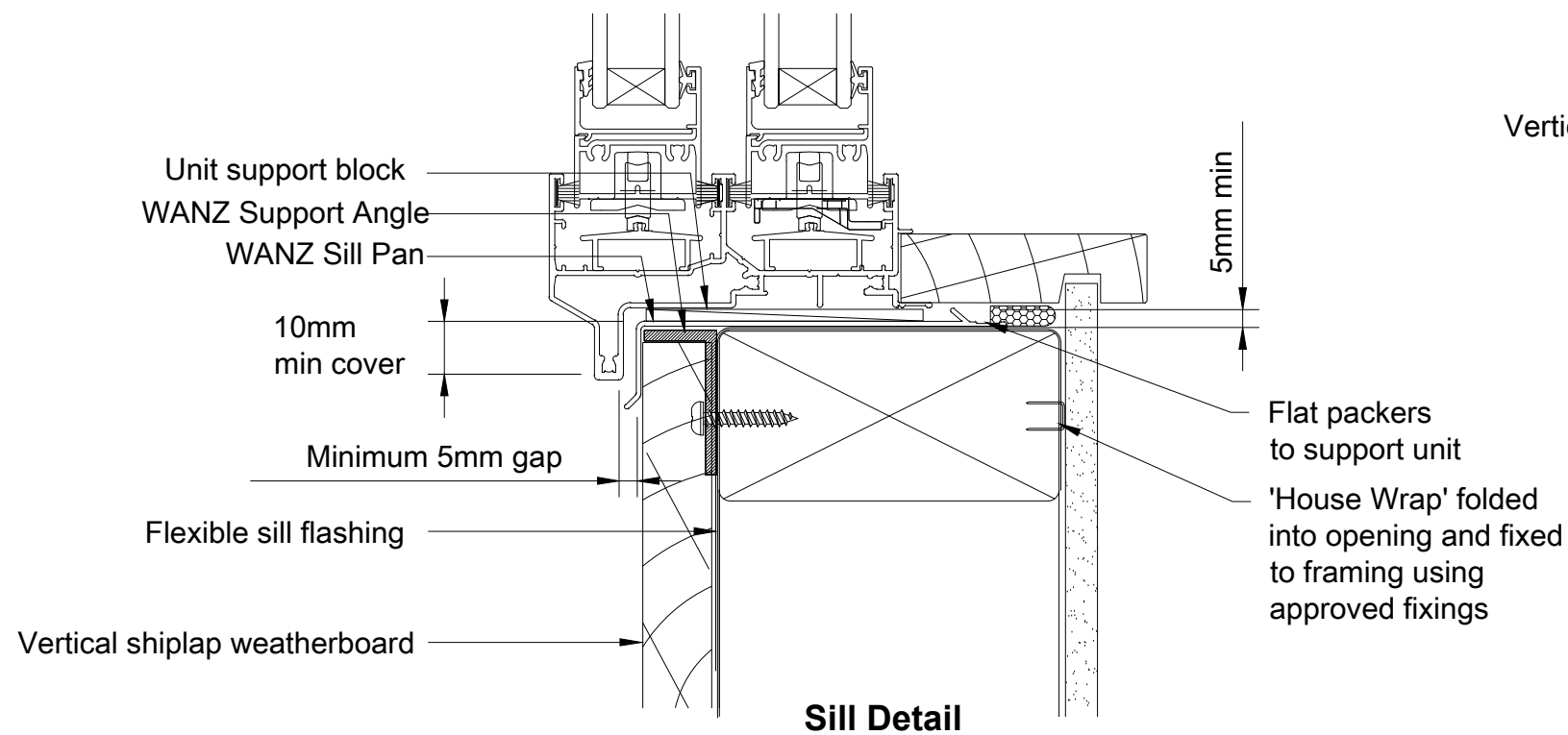
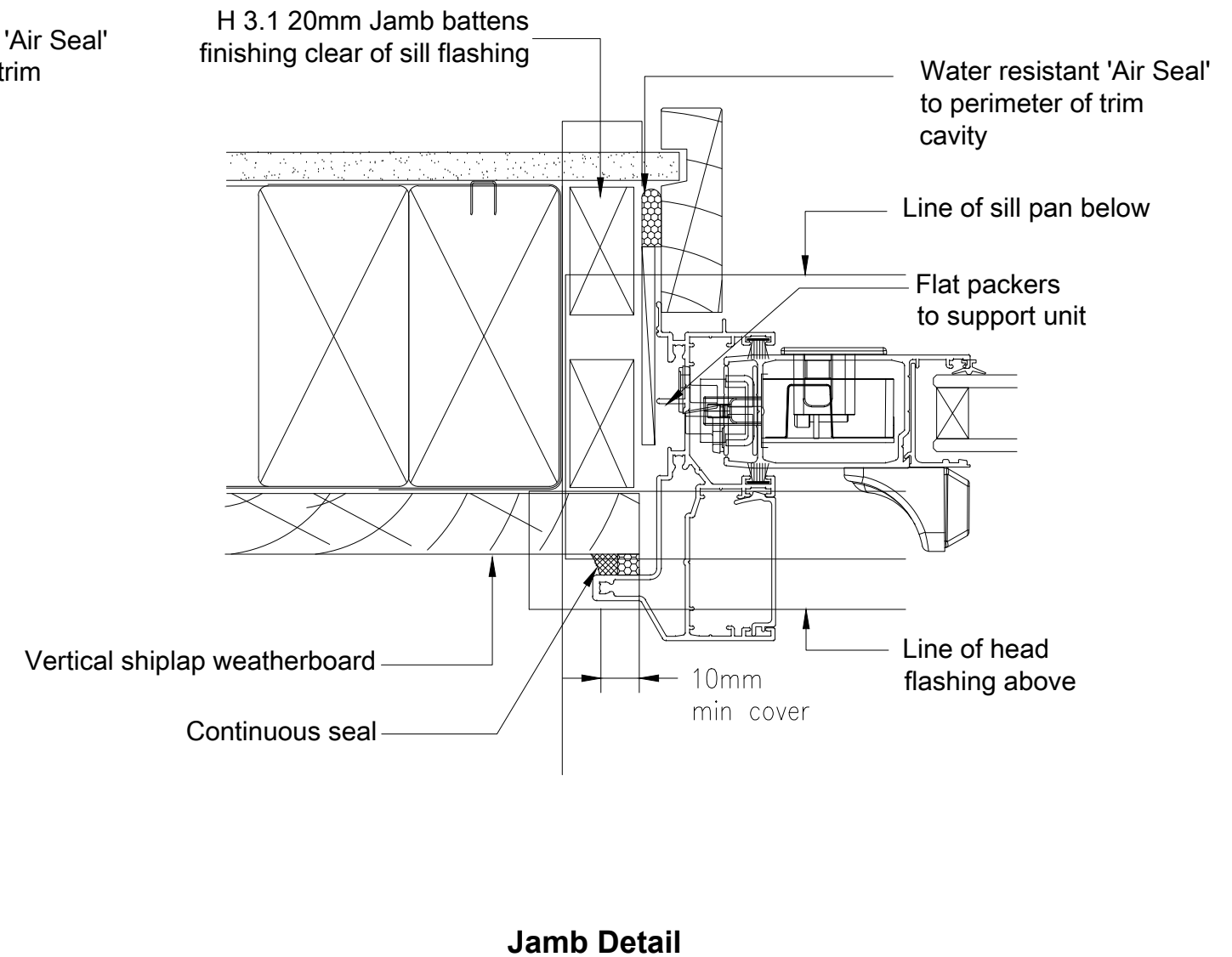
Page : dfVSWBstk

OMEGA Windows & Doors Ltd.  
 36 Paraita Road, Bell Block  
 Private Bag 2007  
 New Plymouth 4342  
 TEL: 0800 500 141  
 FAX: +64 6 755 9381  
 www.omegawindows.co.nz





Note :  
Jamb battens are fitted after all of the trim preparation has been completed, including flashing tape, sill tray flashing and end stops.  
Jamb battens are to be full height.  
If jamb battens do not span the width of the framing then position them to align with the inner and outer faces.



DATE:  
07/04/2015

SCALE:  
1:2 @ A3

ISSUE:  
No: 002

**WANZ WIS DIRECT FIX  
V/S WEATHERBOARD - SLIDING WINDOW**

Page : dfVSWBsw

OMEGA Windows & Doors Ltd.  
36 Paraiti Road, Bell Block  
Private Bag 2007  
New Plymouth 4342  
TEL: 0800 500 141  
FAX: +64 6 755 9381  
www.omegawindows.co.nz

