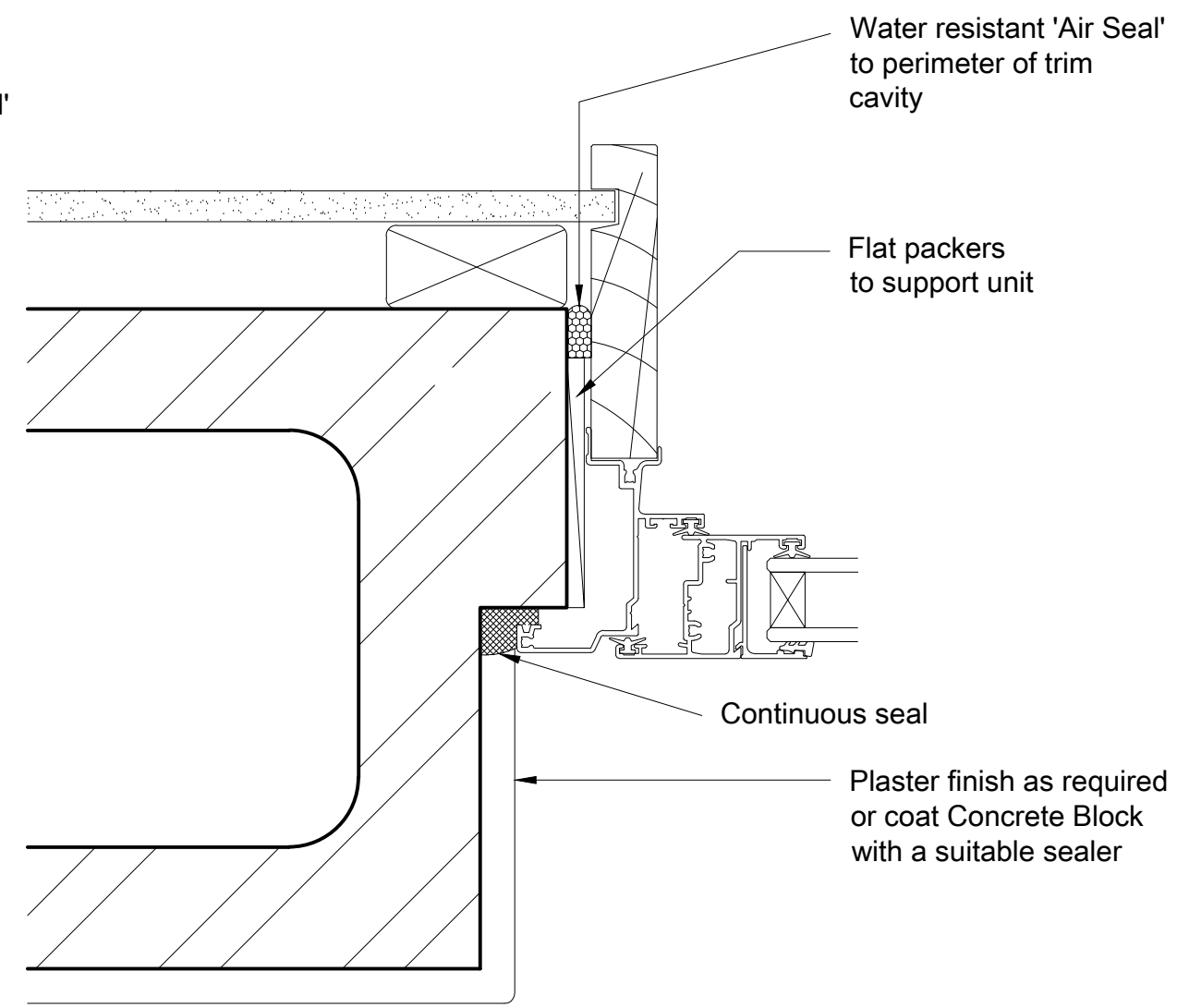
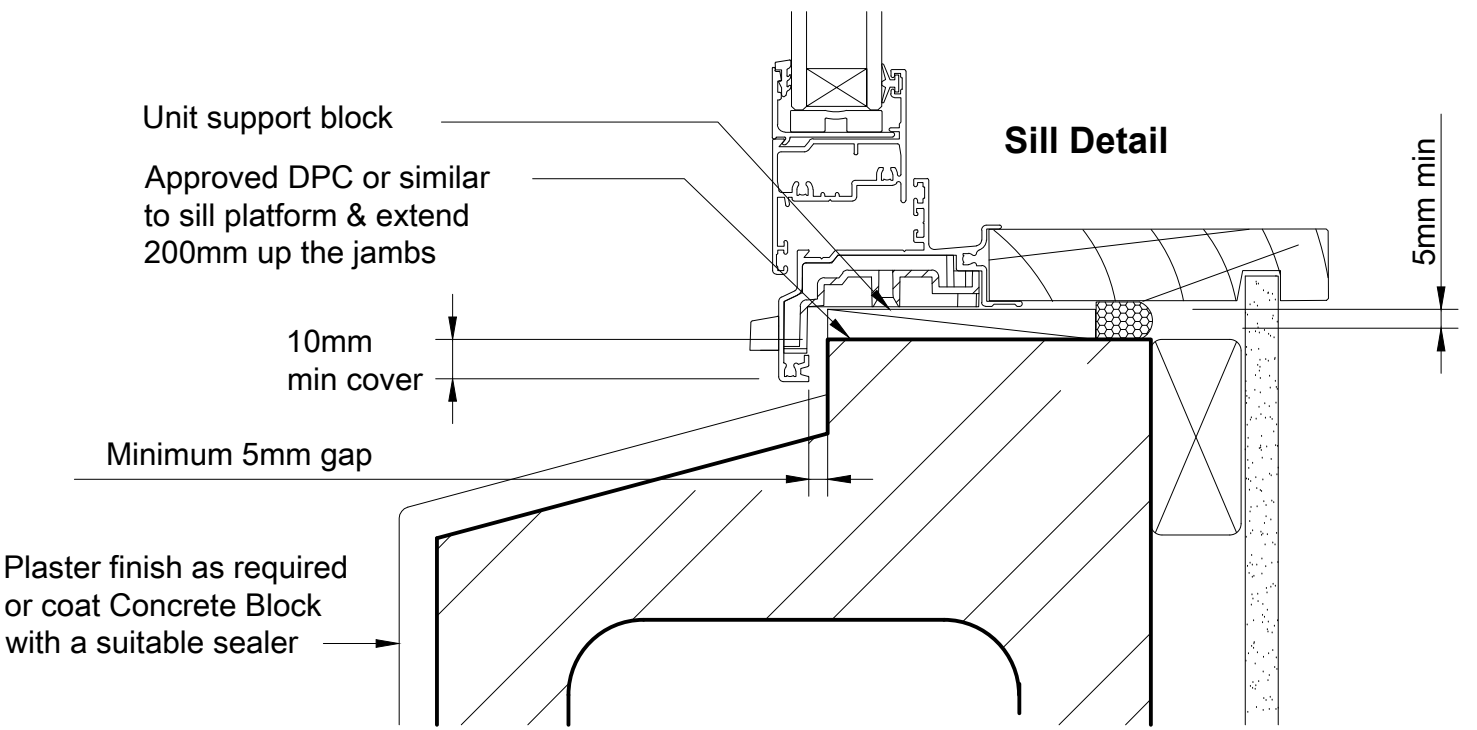


**Head Detail**



**Jamb Detail**



**Sill Detail**

DATE:  
01/01/2010

SCALE:  
1:2 @ A3

ISSUE:  
No: 002

**WANZ WIS DIRECT FIX  
CONCRETE BLOCK - AWNING WINDOW**

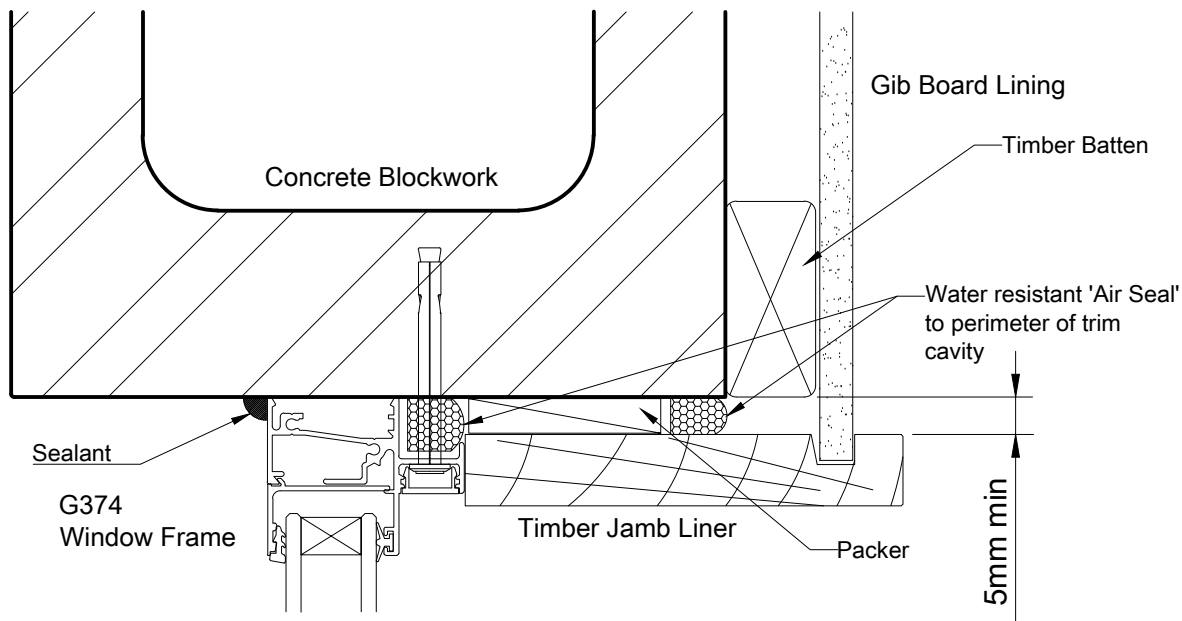
Page : dfCBKaw

OMEGA windows & Doors  
36 Paraiti Road, Bell Block  
Private Bag 2007  
New Plymouth 4342  
TEL: 0800 500 141  
FAX: +64 6 755 9381  
www.omegawindows.co.nz

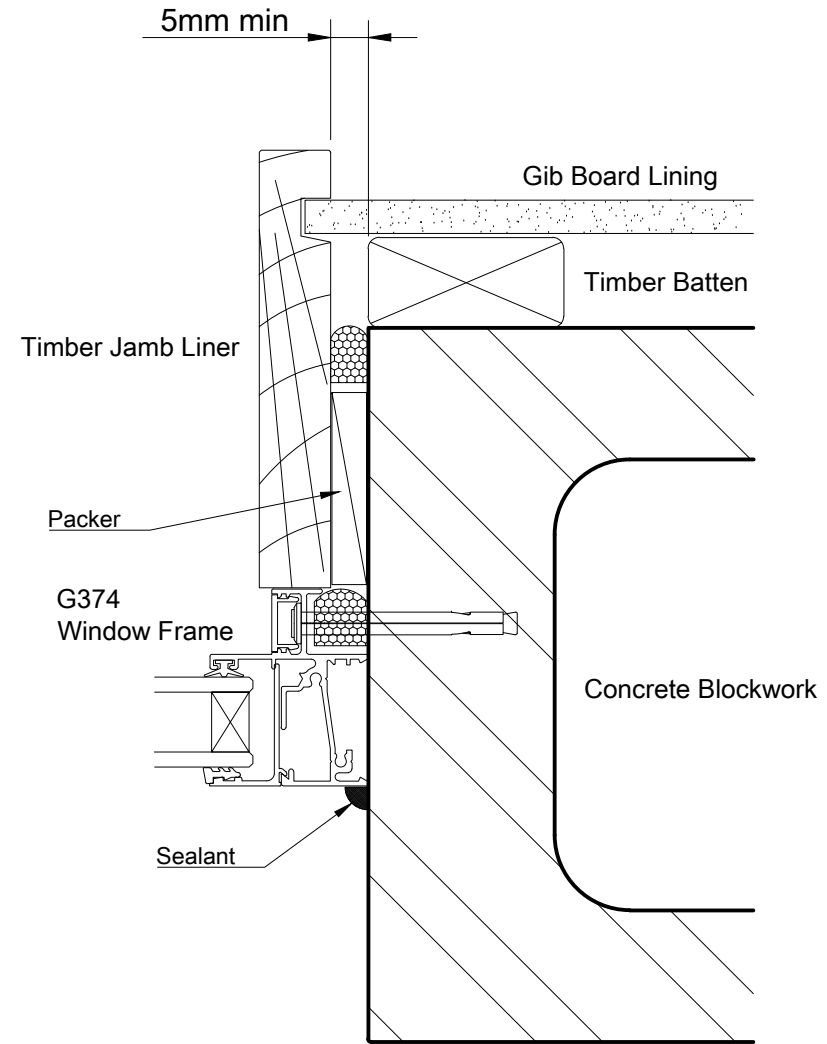


This document is intended as a guide only and is to be used in conjunction with The WANZ Guide to Window Installation as described in E2/AS1 Amendment 5 (see link below)  
<http://www.wanz.org.nz/download/WANZ%20Guide%20to%20E2%20AS1%20Amd%206%20V1.3%20Dec%202014.pdf>

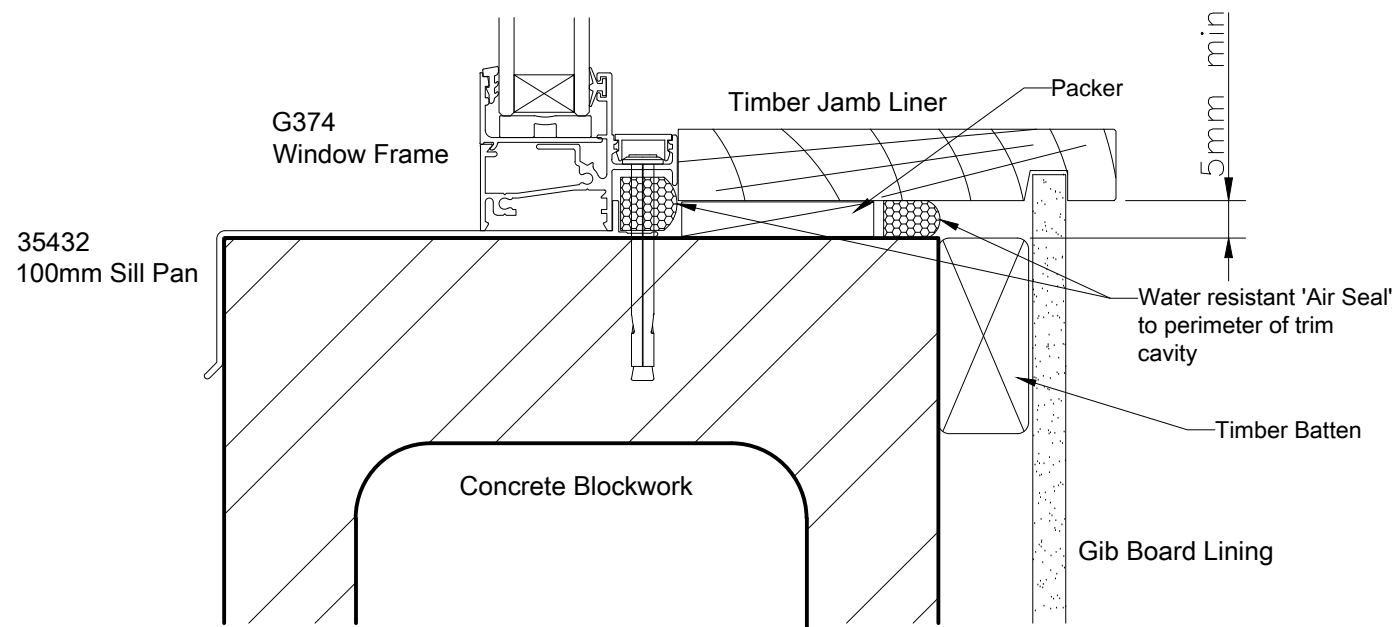




**Head Detail**



**Jamb Detail**



**Sill Detail**

DATE:  
29/09/2014

SCALE:  
1:2 @ A3

ISSUE:  
No: 002

**WANZ WIS DIRECT FIX  
CONCRETE BLOCK - Non Rebate**

Page : dfBLKaw Non Rebate

OMEGA windows & Doors  
36 Paraiti Road, Bell Block  
Private Bag 2007  
New Plymouth 4342  
TEL: 0800 500 141  
FAX: +64 6 755 9381  
www.omegawindows.co.nz



Plaster finish as required  
or coat Concrete Block  
with a suitable sealer

Continuous head seal

5mm nom

**Head Detail**

Water resistant 'Air Seal'  
to perimeter of trim  
cavity

Unit support block

Approved DPC or similar  
to sill platform & extend  
200mm up the jambs

10mm  
min cover

Minimum 5mm gap

5mm min

**Sill Detail**

Plaster finish as required  
or coat Concrete Block  
with a suitable sealer

Water resistant 'Air Seal'  
to perimeter of trim  
cavity

Flat packers  
to support unit

Continuous seal

Plaster finish as required  
or coat Concrete Block  
with a suitable sealer

**Jamb Detail**

DATE:  
01/01/2010

SCALE:  
1:2 @ A3

ISSUE:  
No: 002

**WANZ WIS DIRECT FIX  
CONCRETE BLOCK - BI FOLD WINDOW**

Page : dfCBLKbw

OMEGA windows & Doors  
36 Paraiti Road, Bell Block  
Private Bag 2007  
New Plymouth 4342  
TEL: 0800 500 141  
FAX: +64 6 755 9381  
www.omegawindows.co.nz



Plaster finish as required  
or coat Concrete Block  
with a suitable sealer

Continuous head seal

5mm nom

**Head Detail**

Water resistant 'Air Seal'  
to perimeter of trim  
cavity

Water resistant 'Air Seal'  
to perimeter of trim  
cavity

Flat packers  
to support unit

Continuous seal

Plaster finish as required  
or coat Concrete Block  
with a suitable sealer

**Jamb Detail**

**Sill Detail**

Unit support block

10mm  
min cover

WANZ Sill Pan

Sill rebate as required  
Minimum 5mm gap

Waterproofing

©

DATE:  
01/01/2010

SCALE:  
1:2 @ A3

ISSUE:  
No: 002

**WANZ WIS DIRECT FIX  
CONCRETE BLOCK - HINGED DOOR**

Page : dfBLKhd

OMEGA windows & Doors  
36 Paraiti Road, Bell Block  
Private Bag 2007  
New Plymouth 4342  
TEL: 0800 500 141  
FAX: +64 6 755 9381  
www.omegawindows.co.nz



This document is intended as a guide only and is to be used in conjunction with  
The WANZ Guide to Window Installation as described in E2/AS1 Amendment 5 (see link below)  
<http://www.wanz.org.nz/download/WANZ%20Guide%20to%20E2%20AS1%20Amd%206%20V1.3%20Dec%202014.pdf>



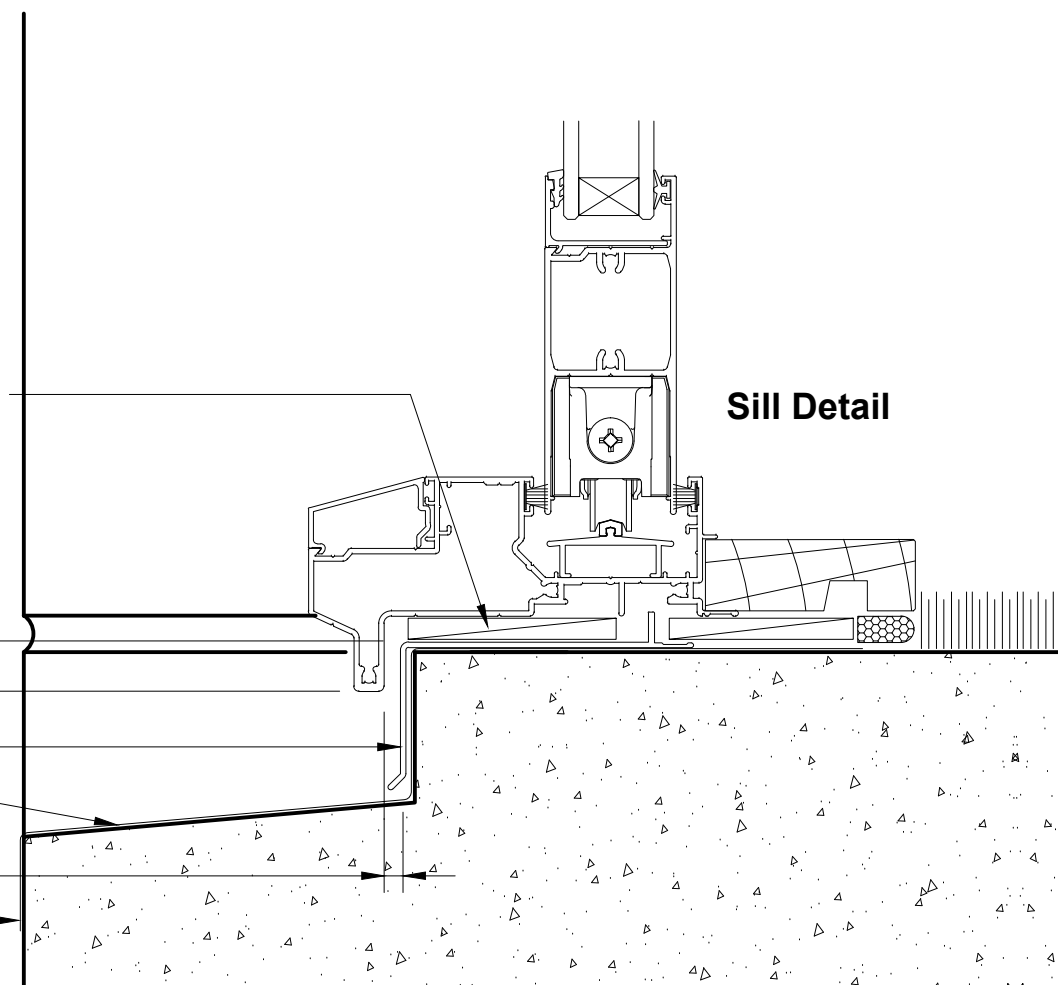
Plaster finish as required  
or coat Concrete Block  
with a suitable sealer

Continuous head seal

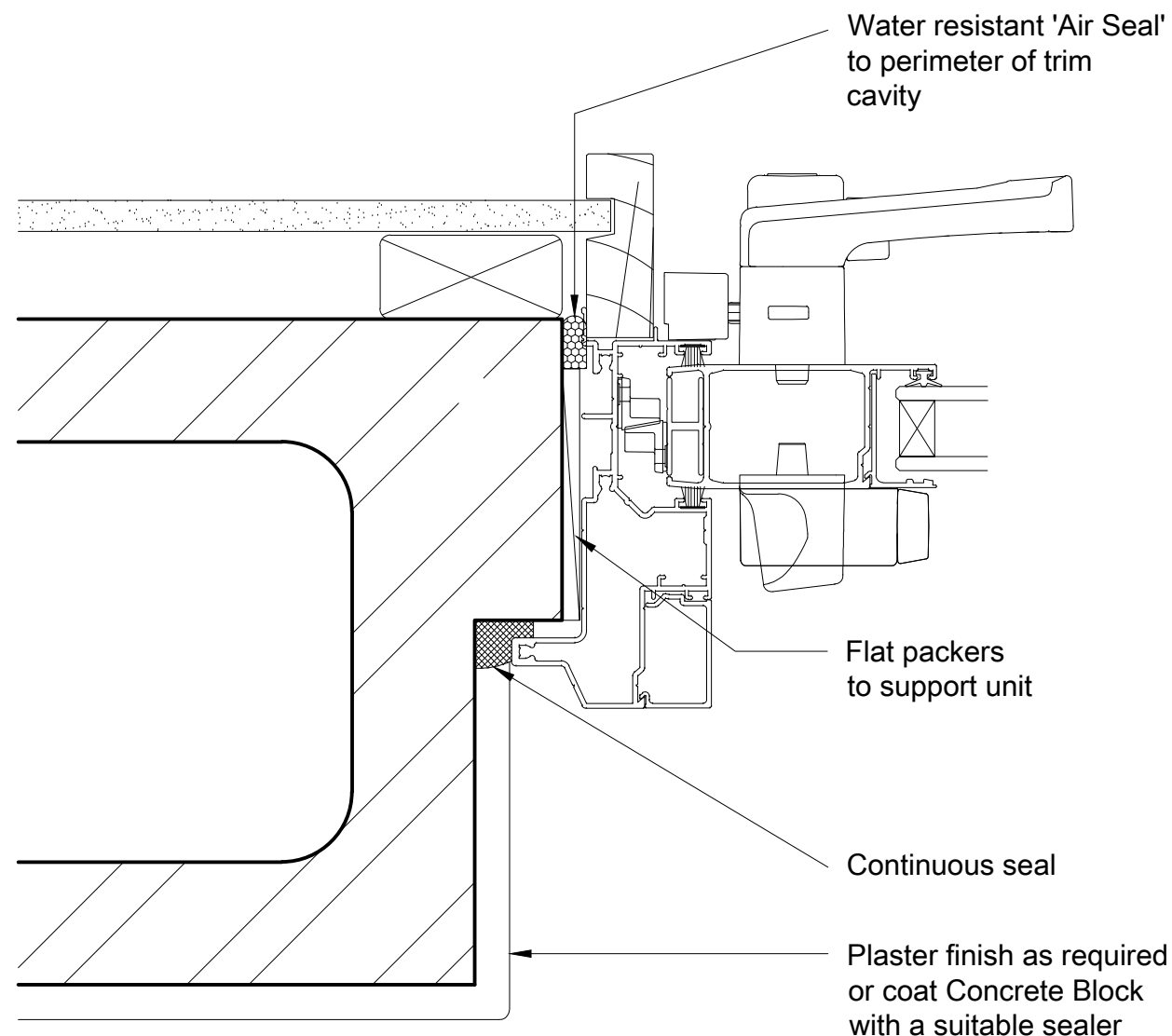
5mm nom

Water resistant 'Air Seal'  
to perimeter of trim  
cavity

**Head Detail**



**Sill Detail**



**Jamb Detail**

DATE:  
01/01/2010

SCALE:  
1:2 @ A3

ISSUE:  
No: 002

**WANZ WIS DIRECT FIX  
CONCRETE BLOCK - SLIDING DOOR**

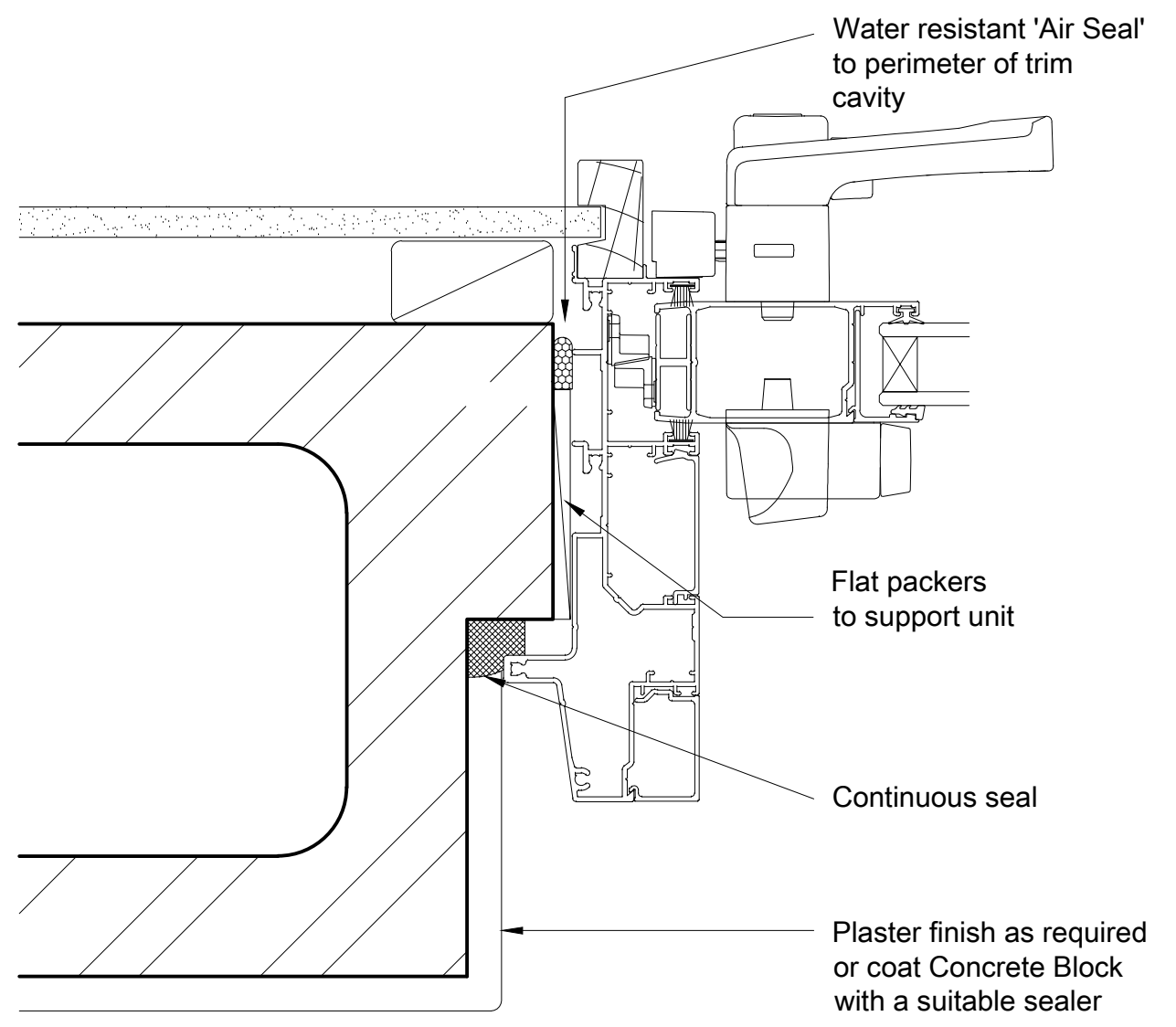
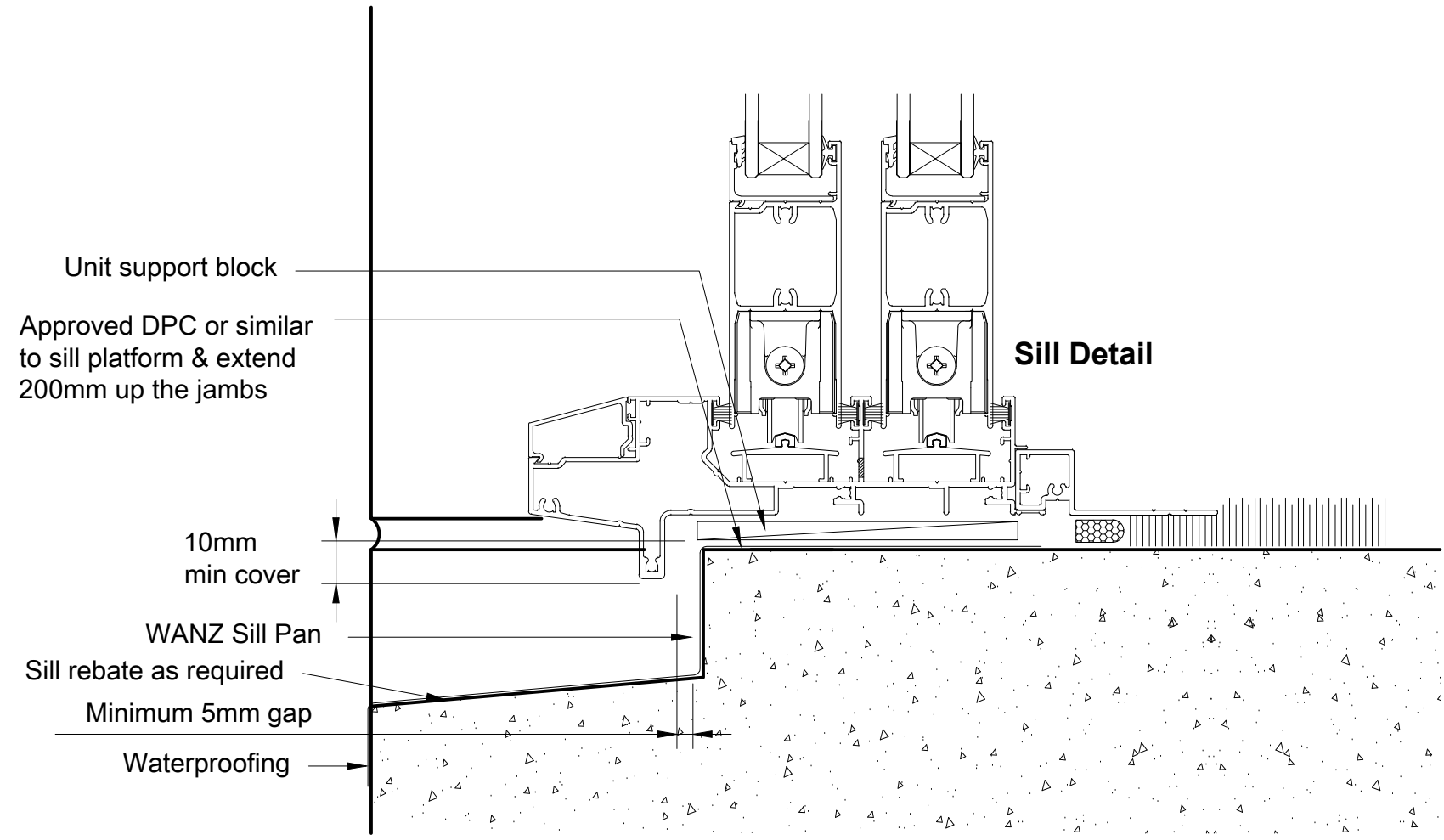
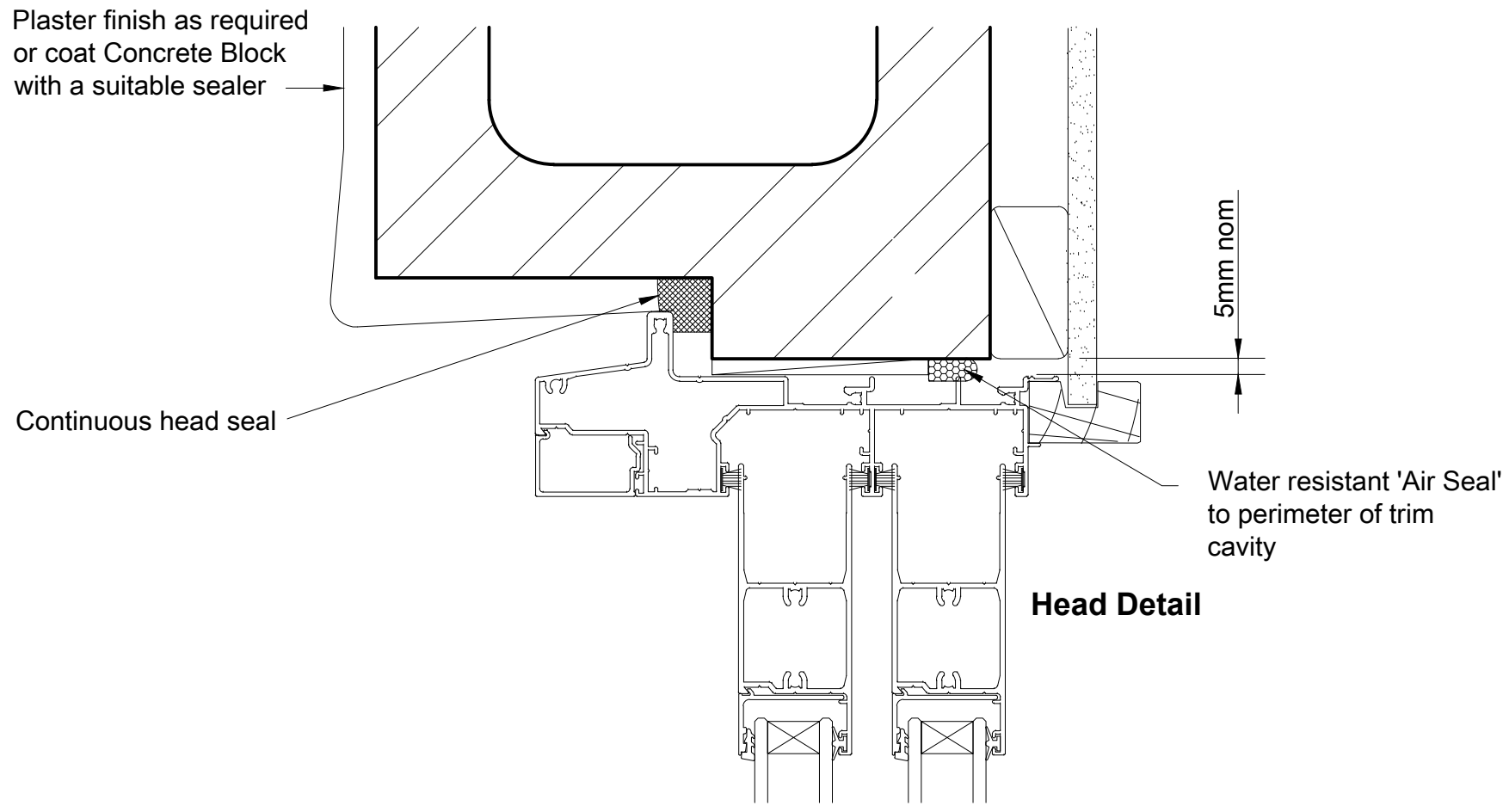
Page : dfCBLKsld

OMEGA windows & Doors  
36 Paraiti Road, Bell Block  
Private Bag 2007  
New Plymouth 4342  
TEL: 0800 500 141  
FAX: +64 6 755 9381  
www.omegawindows.co.nz



©





DATE:  
01/01/2010

SCALE:  
1:2 @ A3

ISSUE:  
No: 002

**WANZ WIS DIRECT FIX  
CONCRETE BLOCK - STACKER DOOR**

Page : dfCBLKstk

OMEGA windows & Doors  
36 Paraiti Road, Bell Block  
Private Bag 2007  
New Plymouth 4342  
TEL: 0800 500 141  
FAX: +64 6 755 9381  
www.omegawindows.co.nz

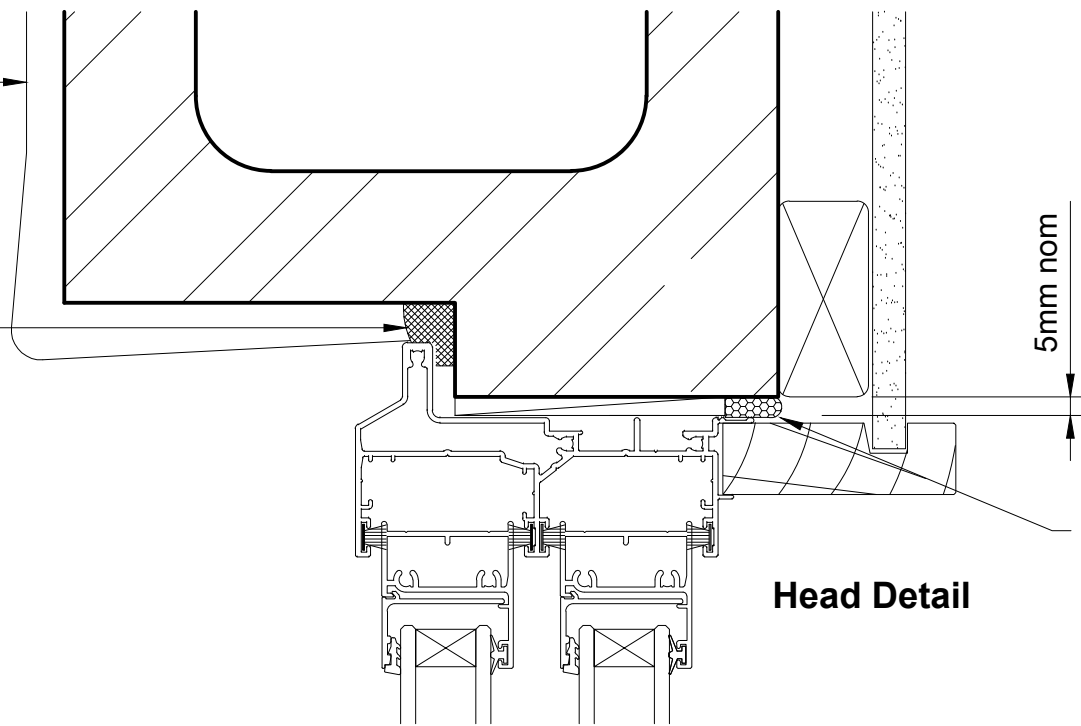


This document is intended as a guide only and is to be used in conjunction with The WANZ Guide to Window Installation as described in E2/AS1 Amendment 5 (see link below)  
<http://www.wanz.org.nz/download/WANZ%20Guide%20to%20E2%20AS1%20Amd%206%20V1.3%20Dec%202014.pdf>



Plaster finish as required  
or coat Concrete Block  
with a suitable sealer

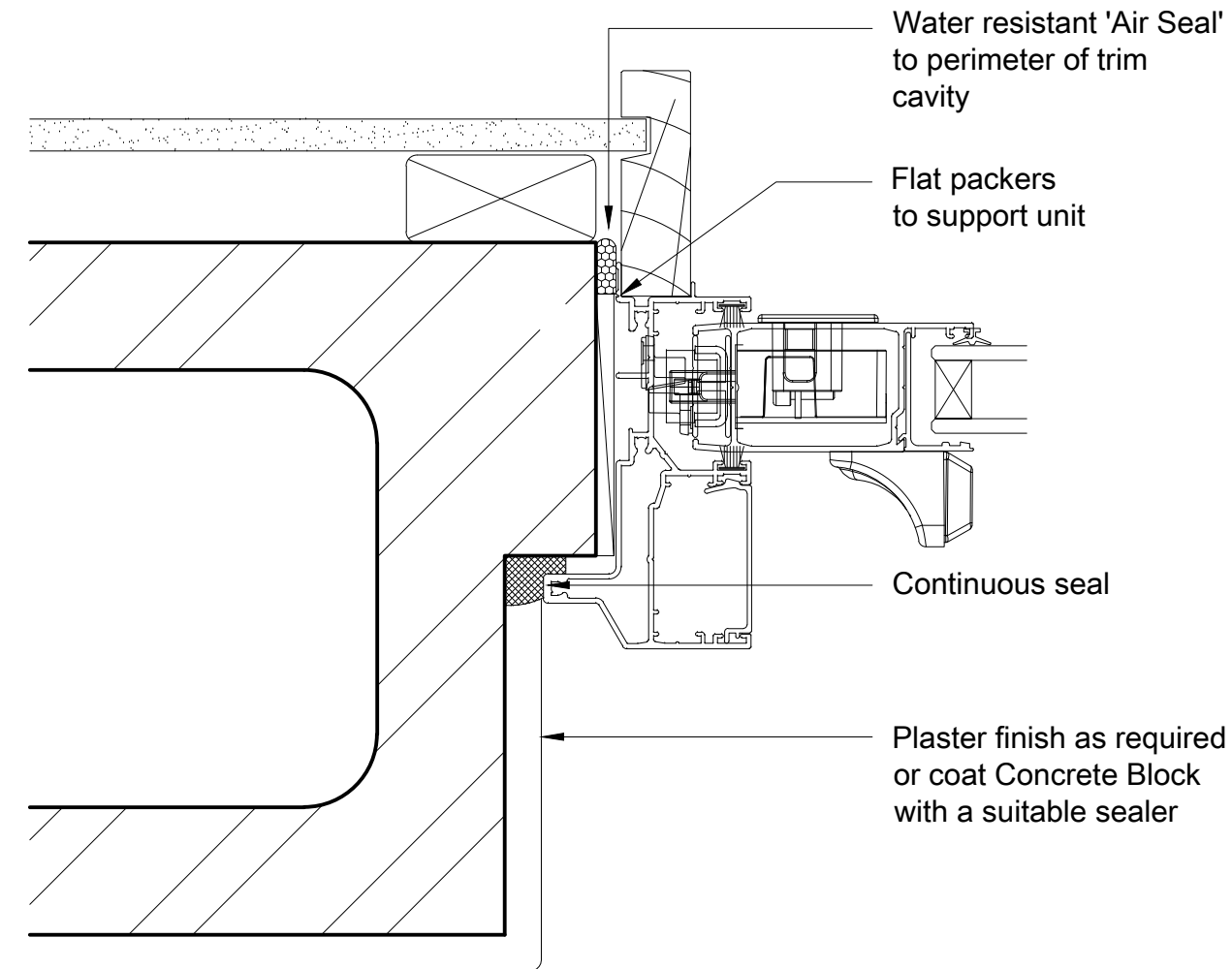
Continuous head seal



**Head Detail**

Water resistant 'Air Seal'  
to perimeter of trim  
cavity

5mm nom



**Jamb Detail**

Water resistant 'Air Seal'  
to perimeter of trim  
cavity

Flat packers  
to support unit

Continuous seal

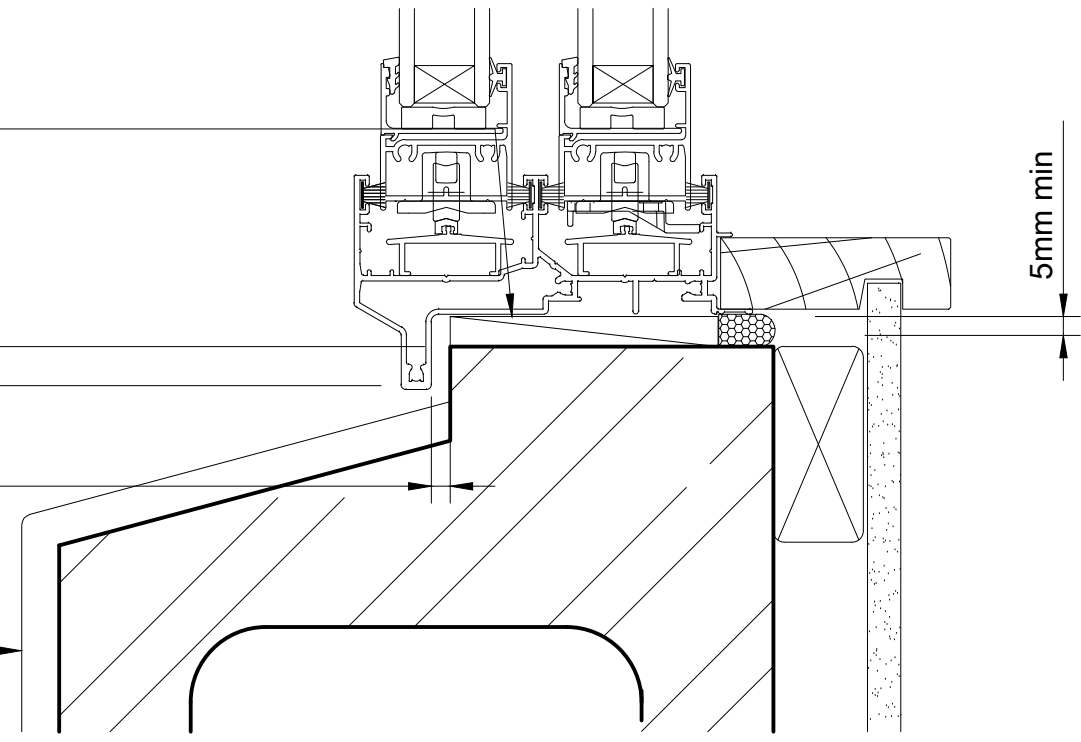
Plaster finish as required  
or coat Concrete Block  
with a suitable sealer

Unit support block  
Approved DPC or similar  
to sill platform & extend  
200mm up the jambs

10mm  
min cover

Minimum 5mm gap

Plaster finish as required  
or coat Concrete Block  
with a suitable sealer



**Sill Detail**

5mm min

DATE:  
01/01/2010

SCALE:  
1:2 @ A3

ISSUE:  
No: 002

**WANZ WIS DIRECT FIX  
CONCRETE BLOCK - SLIDING WINDOW**

Page : dfCBLKsw

OMEGA windows & Doors  
36 Paraitē Road, Bell Block  
Private Bag 2007  
New Plymouth 4342  
TEL: 0800 500 141  
FAX: +64 6 755 9381  
www.omegawindows.co.nz



This document is intended as a guide only and is to be used in conjunction with  
The WANZ Guide to Window Installation as described in E2/AS1 Amendment 5 (see link below)  
<http://www.wanz.org.nz/download/WANZ%20Guide%20to%20E2%20AS1%20Amd%206%20V1.3%20Dec%202014.pdf>

