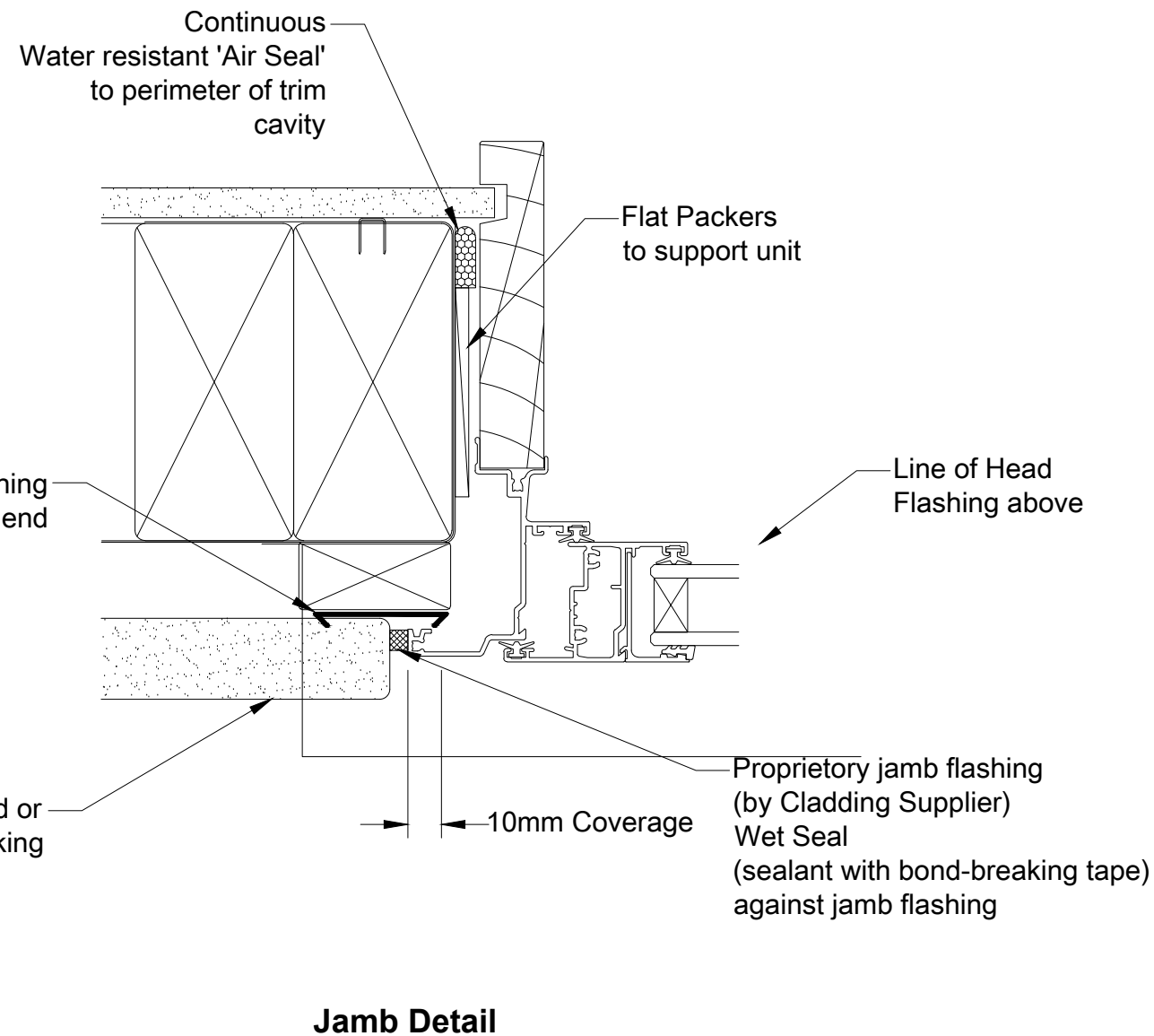
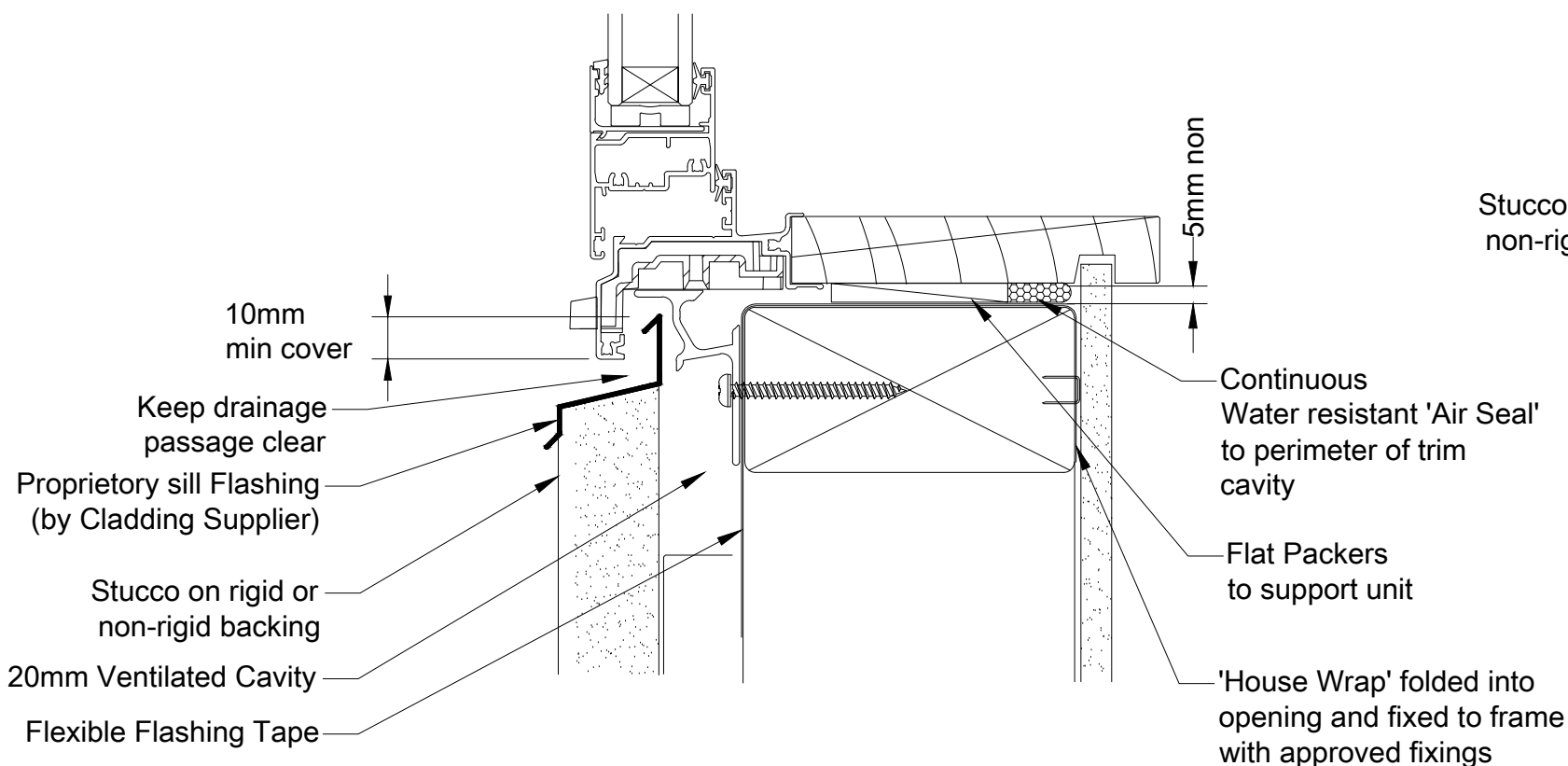


Head Detail



Jamb Detail



DATE:
07/04/2015

SCALE:
1:2 @ A3

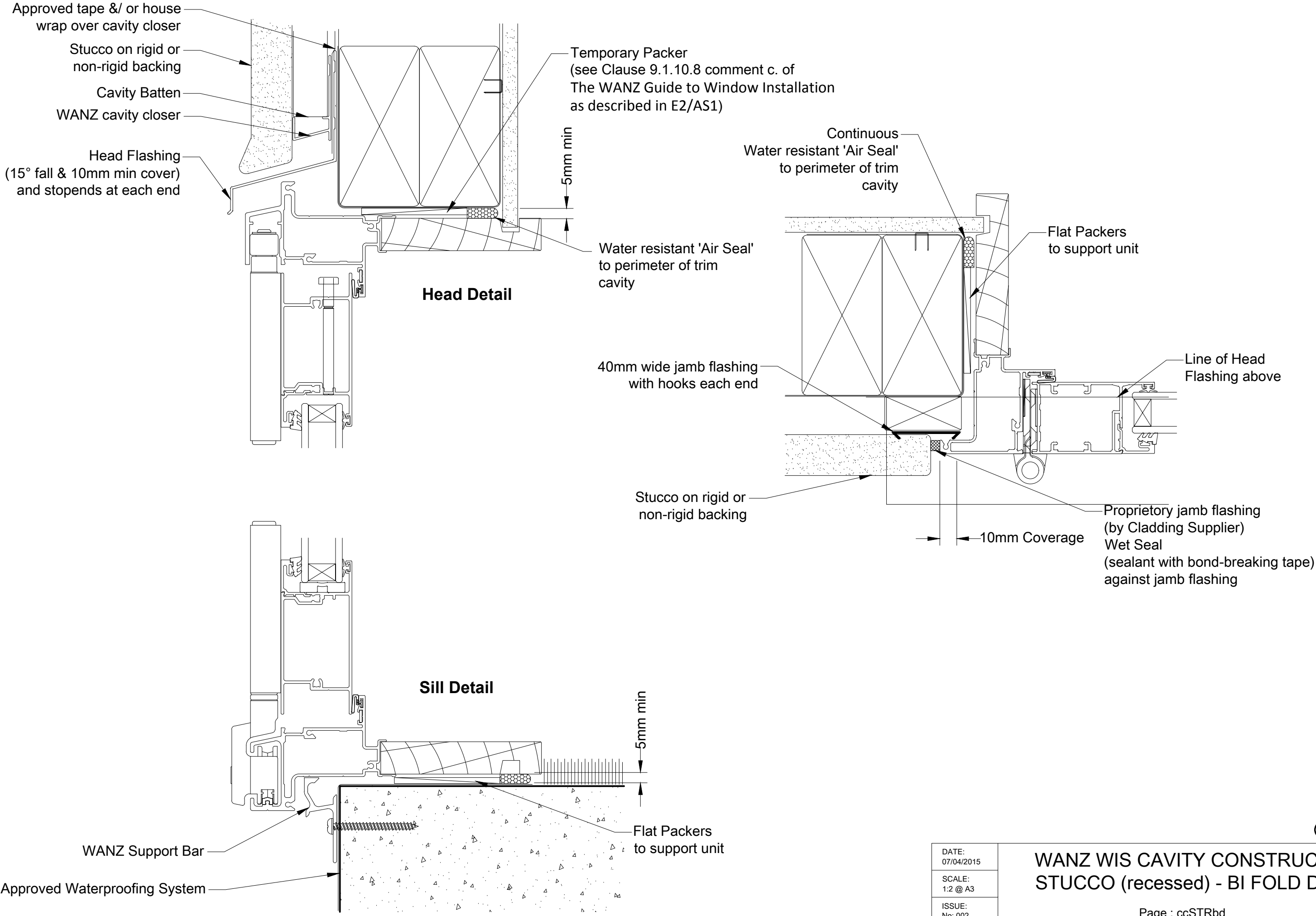
ISSUE:
No: 002

**WANZ WIS CAVITY CONSTRUCTION
STUCCO (recessed) - AWNING WINDOW**

Page : ccSTRaw

OMEGA Windows & Doors Ltd.
36 Paraiti Road, Bell Block
Private Bag 2007
New Plymouth 4342
TEL: 0800 500 141
FAX: +64 6 755 9381
www.omegawindows.co.nz





DATE:
07/04/2015

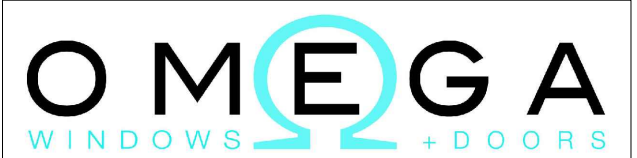
SCALE:
1:2 @ A3

ISSUE:
No: 002

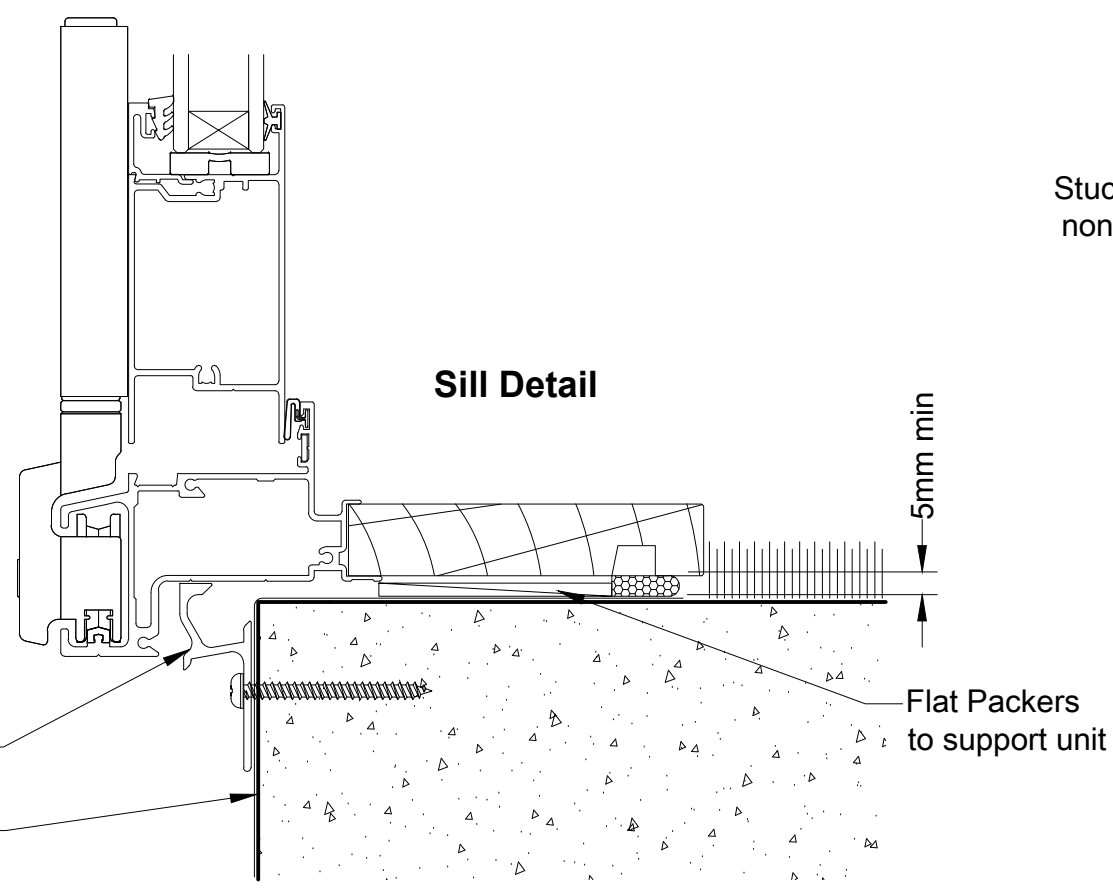
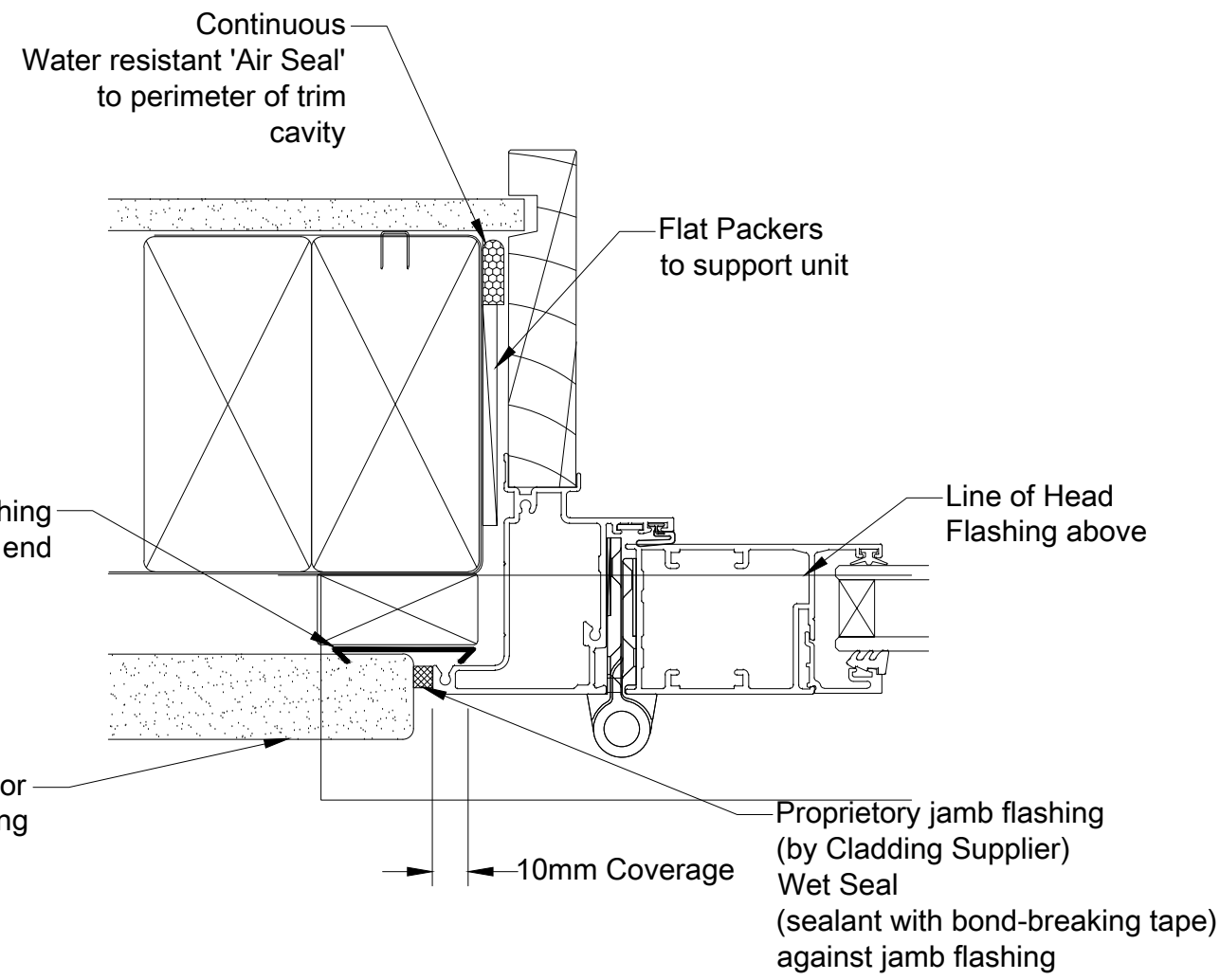
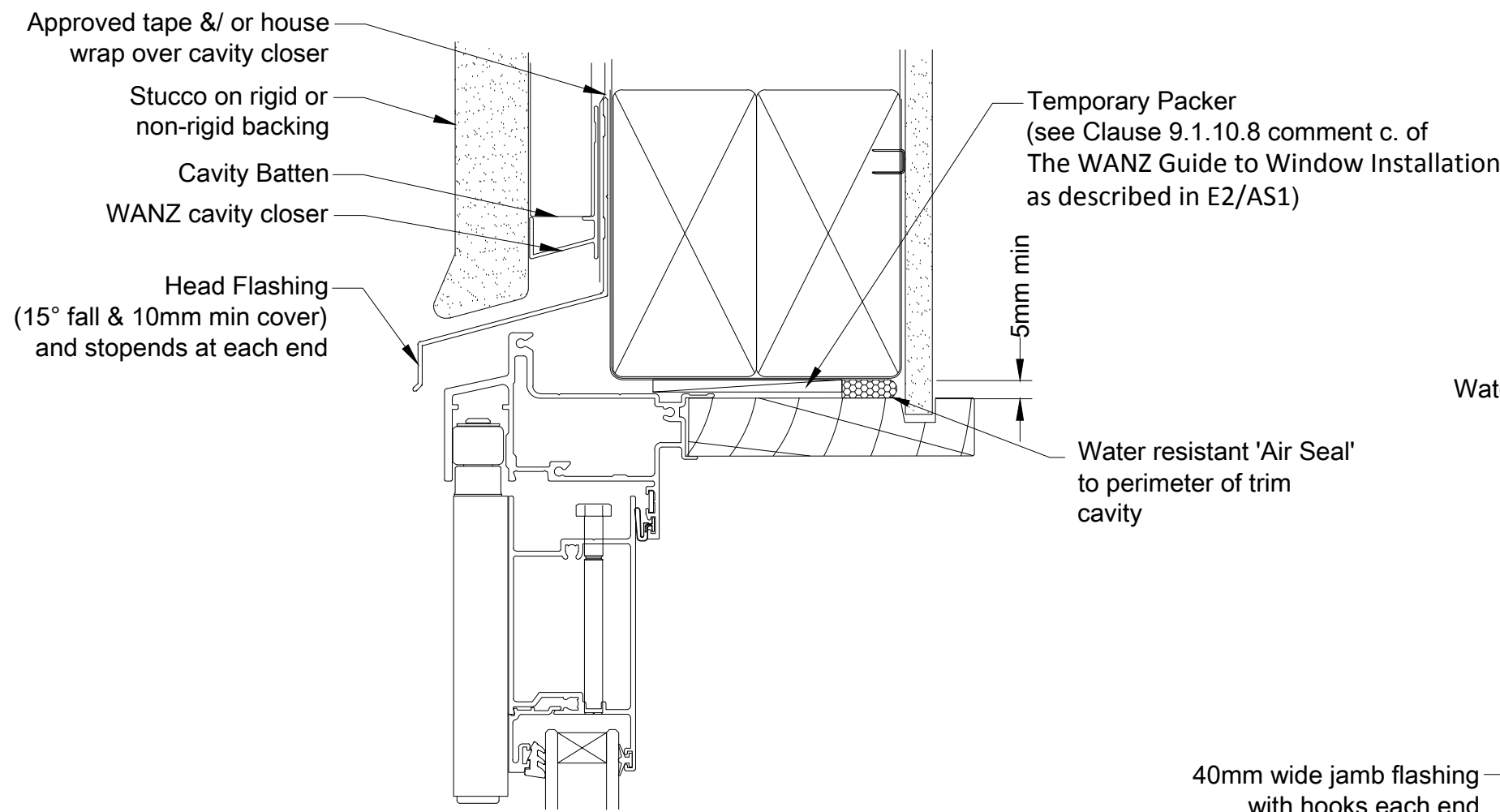
**WANZ WIS CAVITY CONSTRUCTION
STUCCO (recessed) - BI FOLD DOOR**

Page : ccSTRbd

OMEGA Windows & Doors Ltd.
36 Paraiti Road, Bell Block
Private Bag 2007
New Plymouth 4342
TEL: 0800 500 141
FAX: +64 6 755 9381
www.omegawindows.co.nz



This document is intended as a guide only and is to be used in conjunction with The WANZ Guide to Window Installation as described in E2/AS1 Amendment 5 (see link below) <http://www.wanz.org.nz/download/WANZ%20Guide%20to%20E2%20AS1%20Amd%206%20V1.3%20Dec%202014.pdf>



Jamb Detail



DATE:
07/04/2015

SCALE:
1:2 @ A3

ISSUE:
No: 002

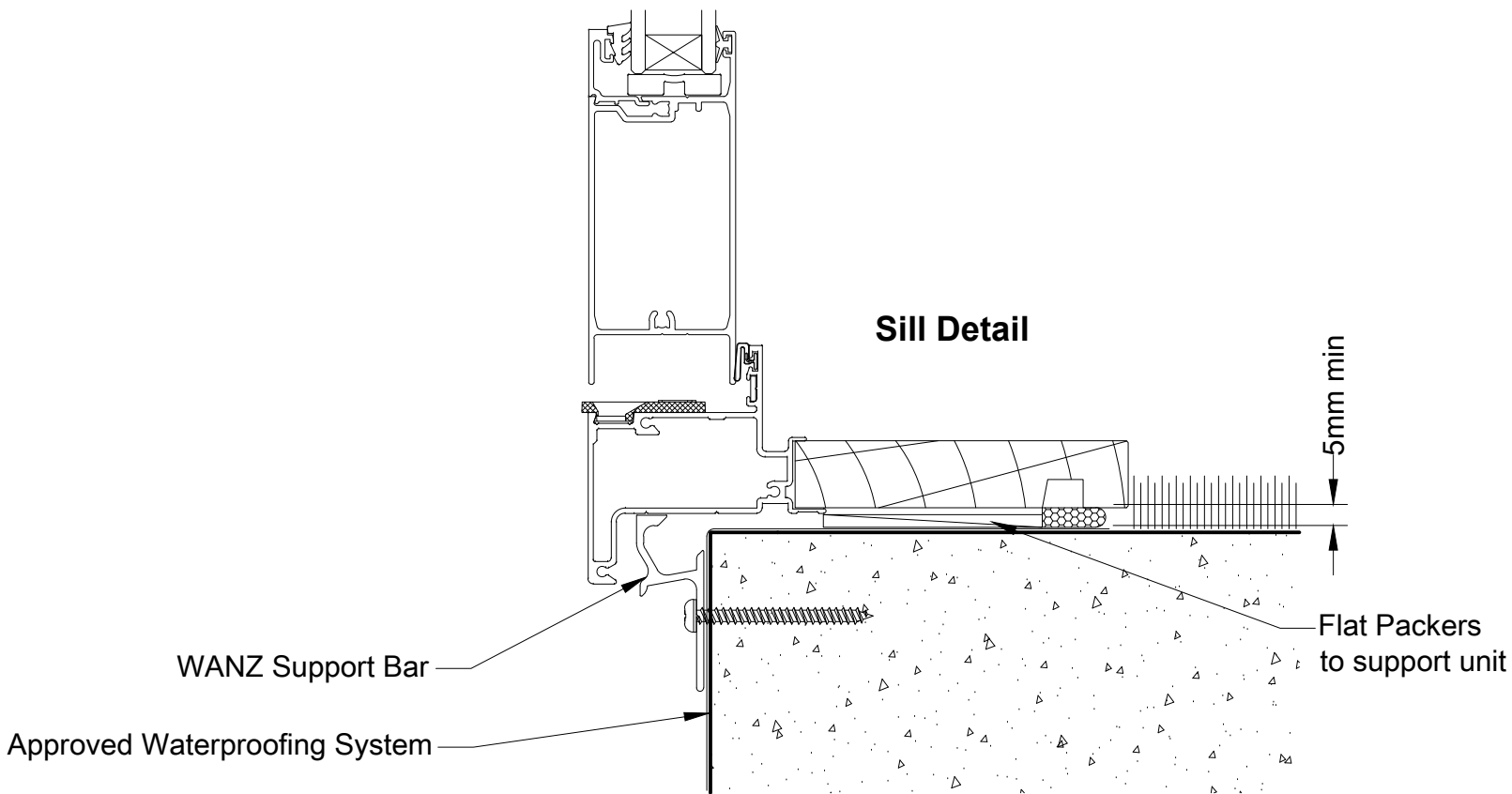
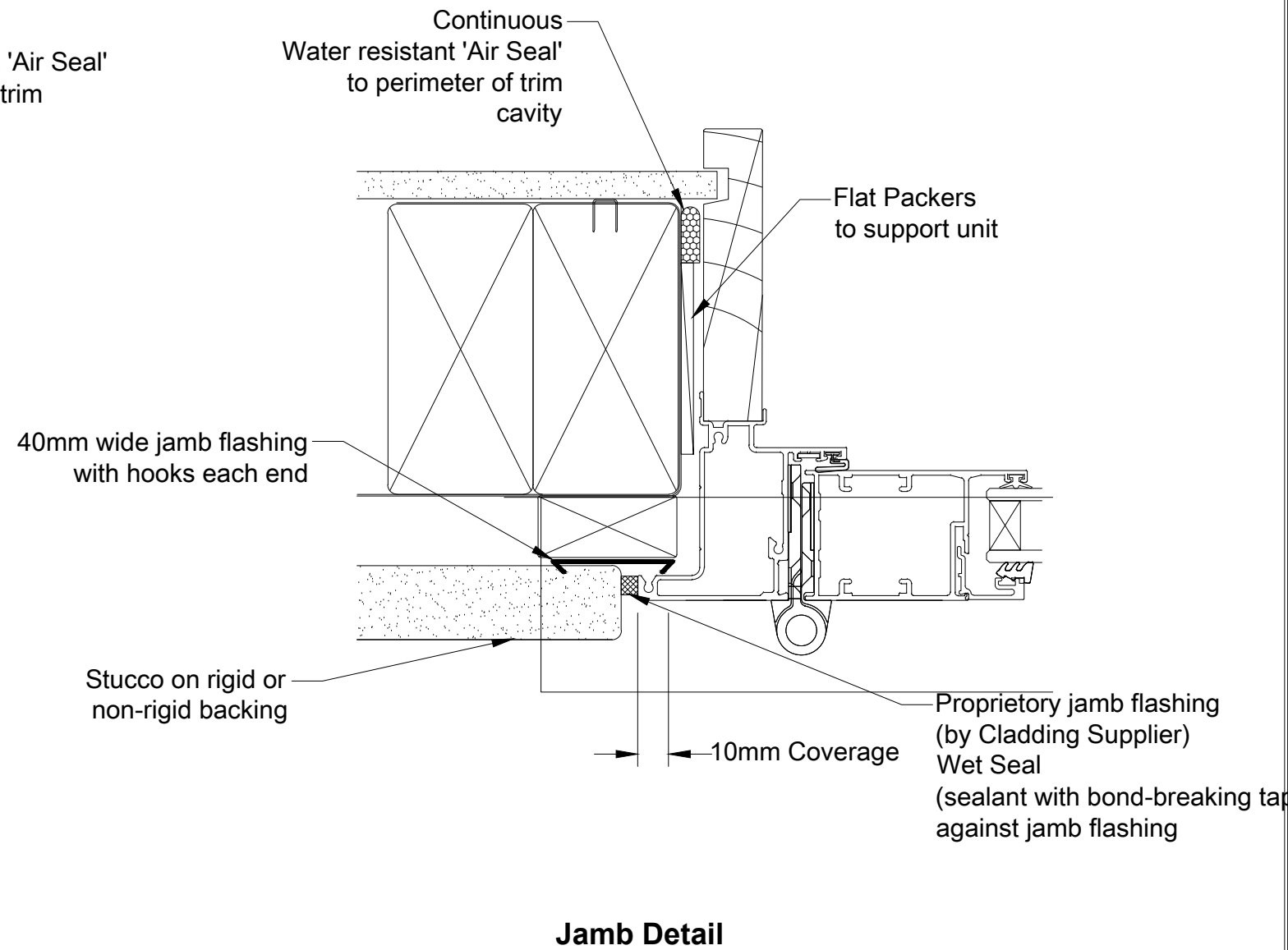
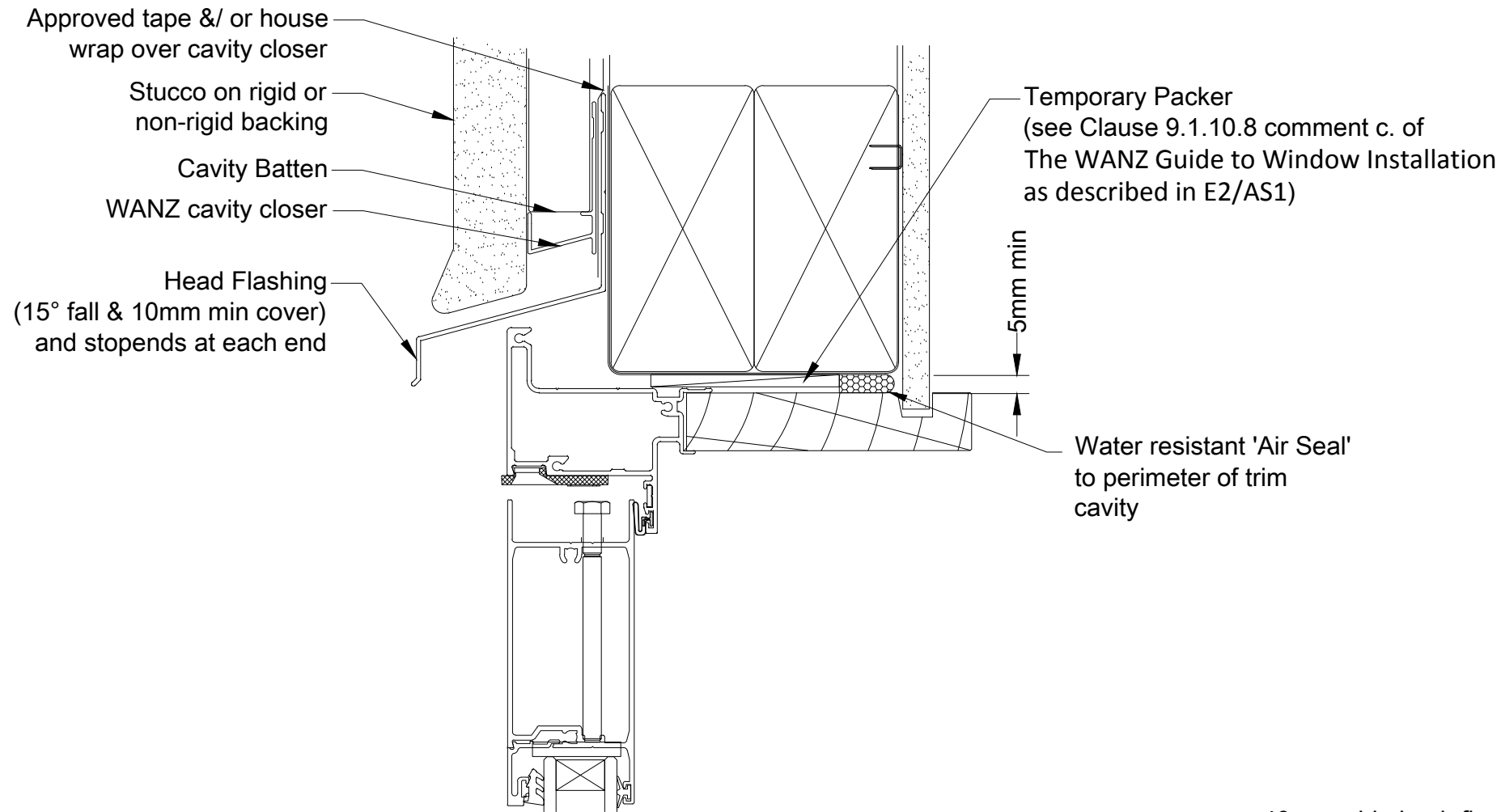
**WANZ WIS CAVITY CONSTRUCTION
STUCCO (recessed) - BI FOLD WINDOW**

Page : ccSTTRbw

OMEGA Windows & Doors Ltd.
36 Paraiti Road, Bell Block
Private Bag 2007
New Plymouth 4342
TEL: 0800 500 141
FAX: +64 6 755 9381
www.omegawindows.co.nz



This document is intended as a guide only and is to be used in conjunction with The WANZ Guide to Window Installation as described in E2/AS1 Amendment 5 (see link below) <http://www.wanz.org.nz/download/WANZ%20Guide%20to%20E2%20AS1%20Amd%206%20V1.3%20Dec%202014.pdf>



DATE:
07/04/2015

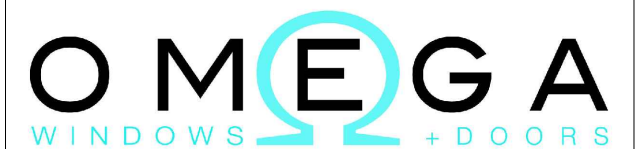
SCALE:
1:2 @ A3

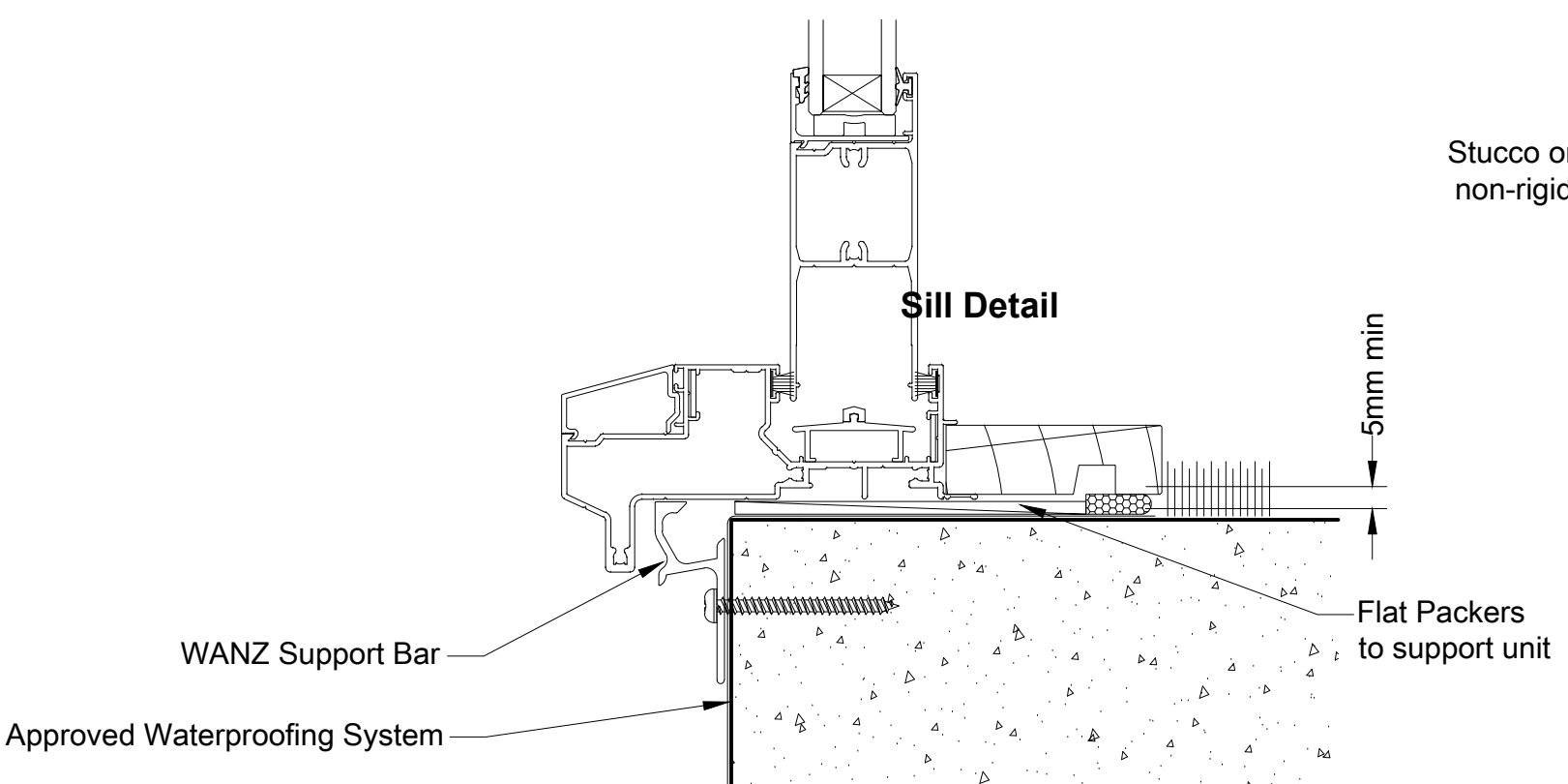
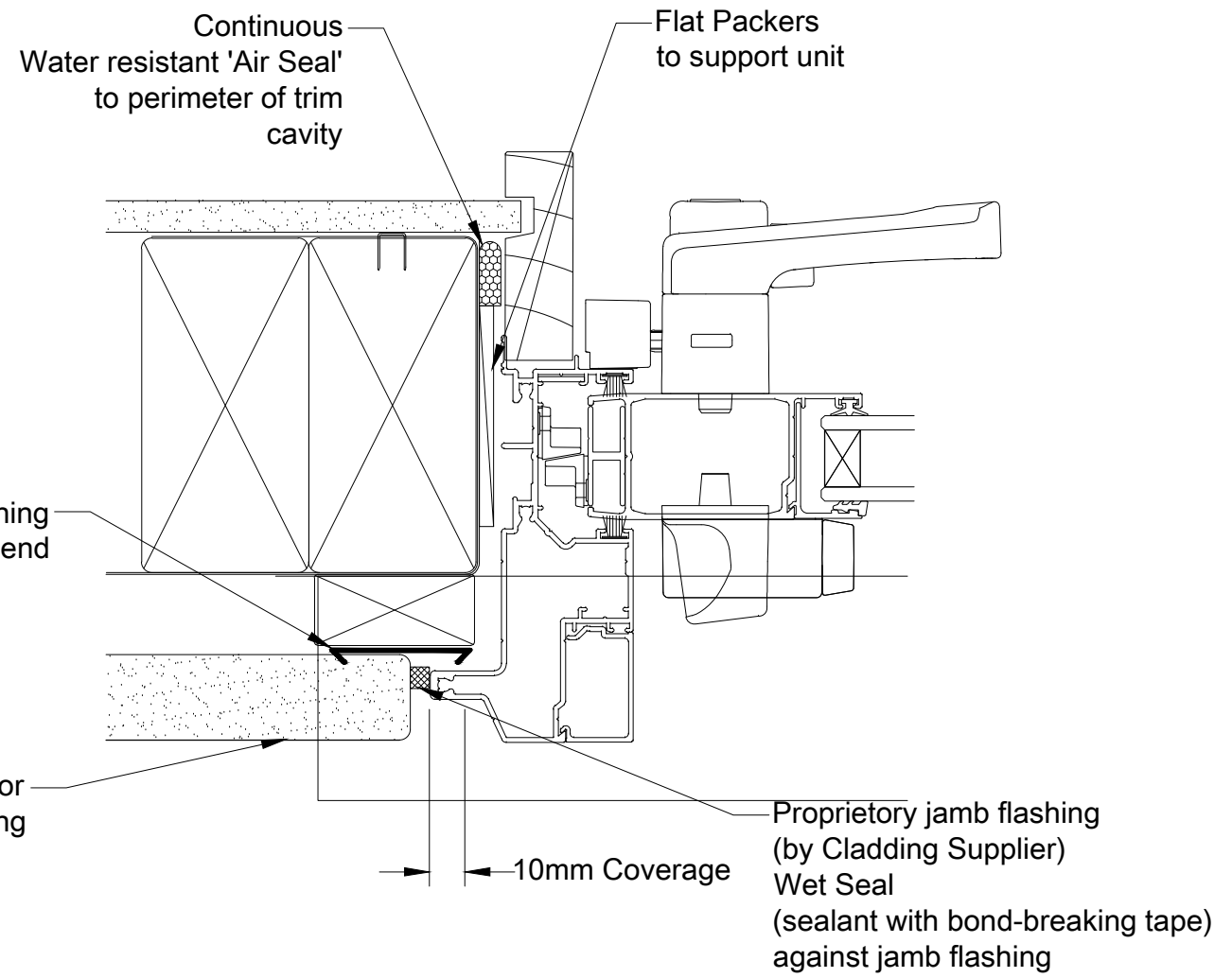
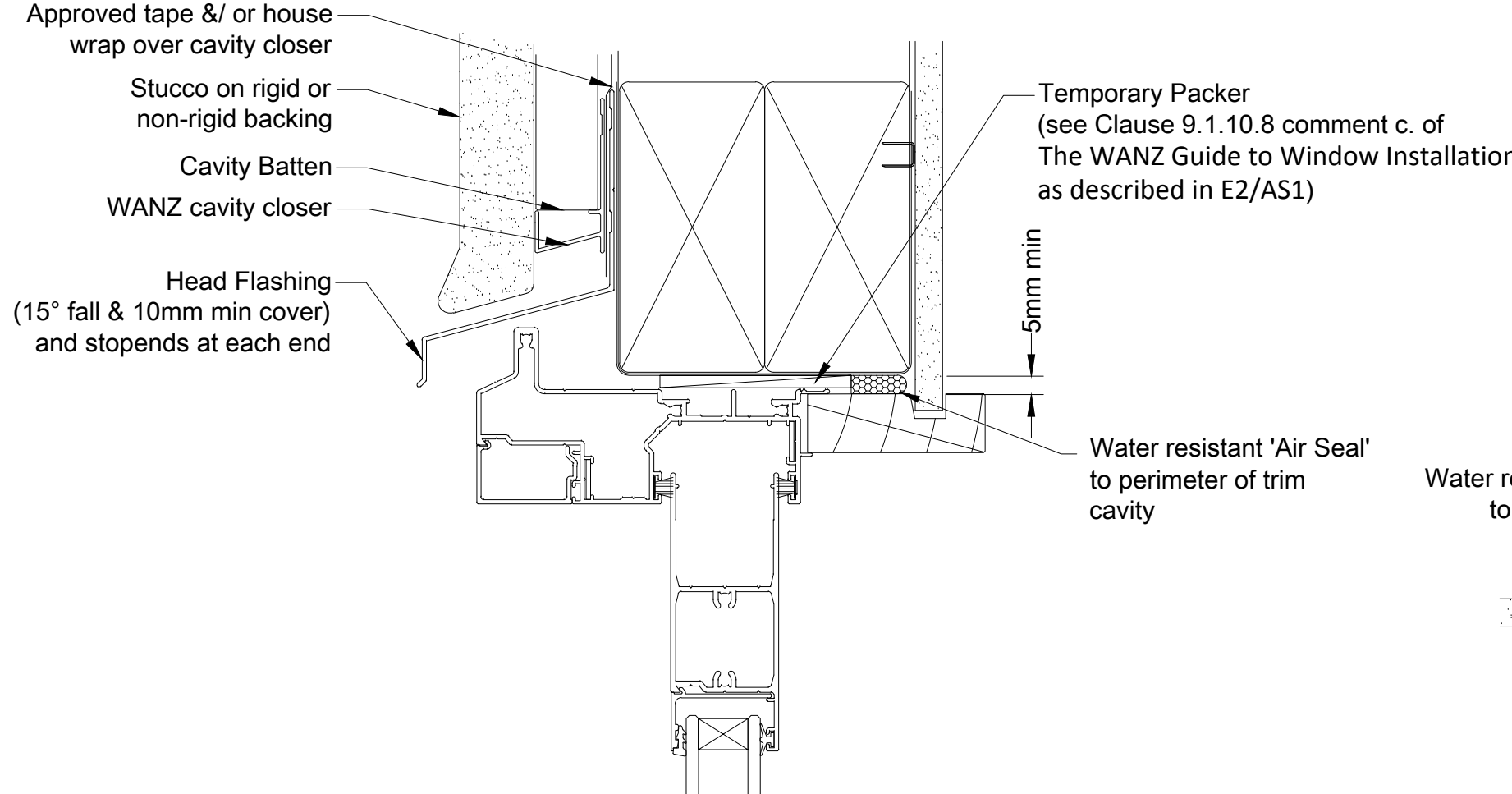
ISSUE:
No: 002

WANZ WIS CAVITY CONSTRUCTION STUCCO (recessed) - HINGED DOOR

Page : ccSTRhd

OMEGA Windows & Doors Ltd.
36 Paraiti Road, Bell Block
Private Bag 2007
New Plymouth 4342
TEL: 0800 500 141
FAX: +64 6 755 9381
www.omegawindows.co.nz





Jamb Detail

DATE:
07/04/2015

SCALE:
1:2 @ A3

ISSUE:
No: 002

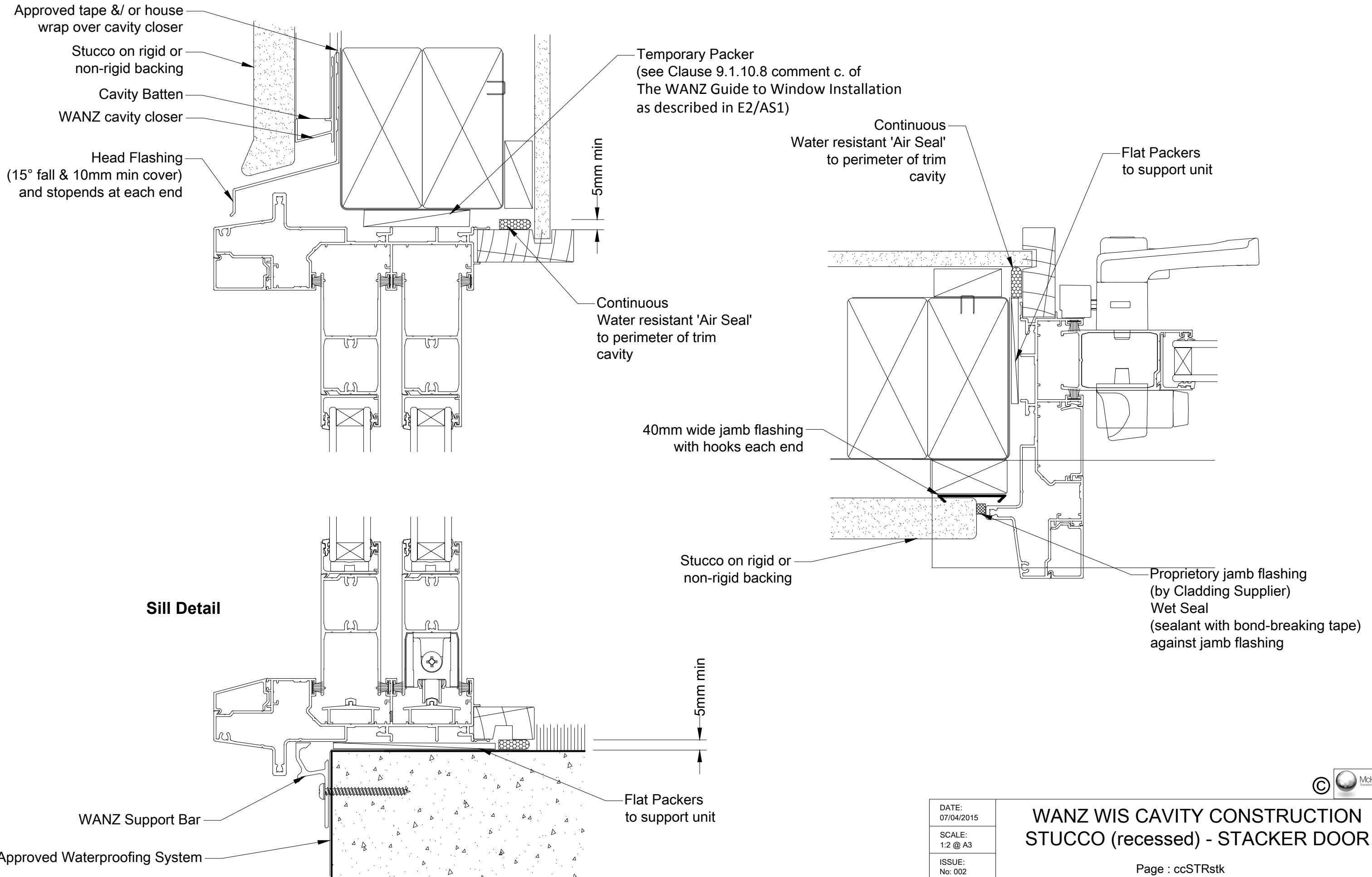
**WANZ WIS CAVITY CONSTRUCTION
STUCCO (recessed) - SLIDING DOOR**

Page : ccSTRsld

OMEGA Windows & Doors Ltd.
36 Paraiti Road, Bell Block
Private Bag 2007
New Plymouth 4342
TEL: 0800 500 141
FAX: +64 6 755 9381
www.omegawindows.co.nz



This document is intended as a guide only and is to be used in conjunction with The WANZ Guide to Window Installation as described in E2/AS1 Amendment 5 (see link below) <http://www.wanz.org.nz/download/WANZ%20Guide%20to%20E2%20AS1%20Amd%206%20V1.3%20Dec%202014.pdf>



Sill Detail



DATE:
07/04/2015

SCALE:
1:2 @ A3

ISSUE:
No: 002

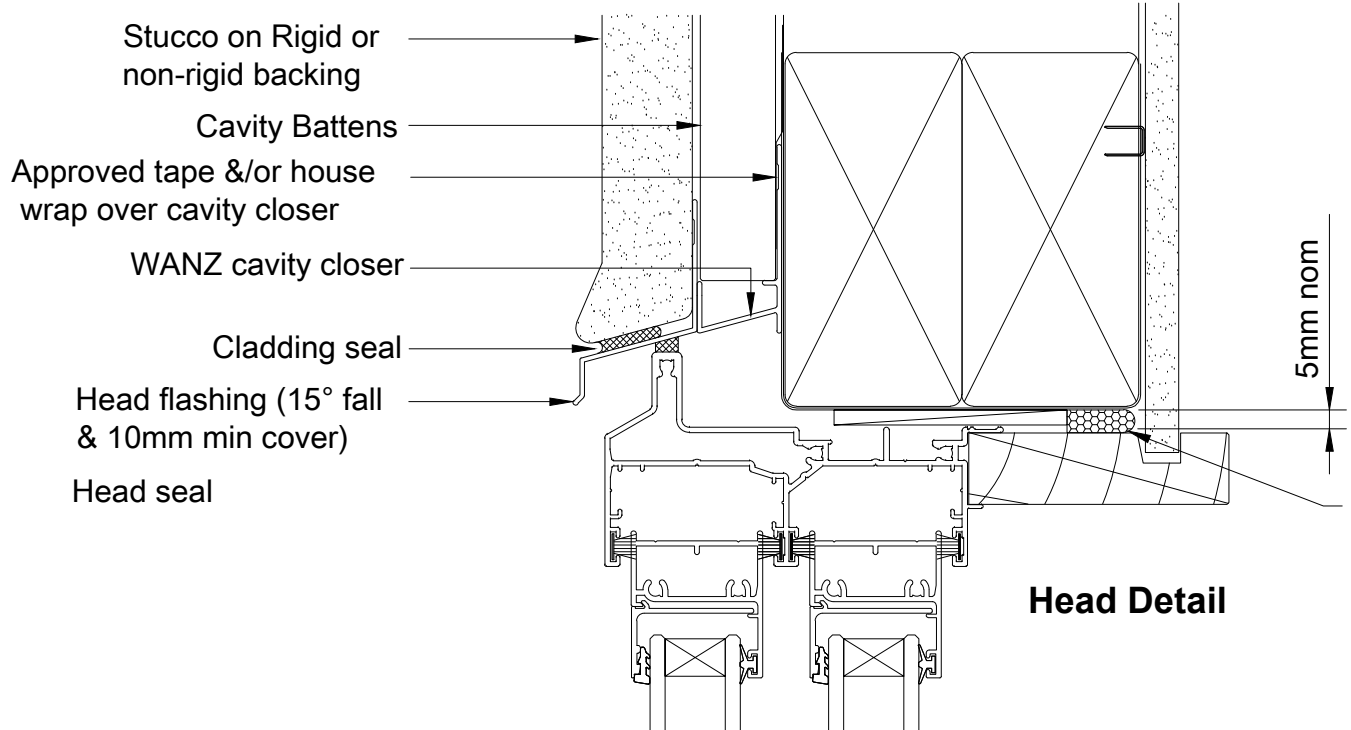
**WANZ WIS CAVITY CONSTRUCTION
STUCCO (recessed) - STACKER DOOR**

Page : ccSTRstk

OMEGA Windows & Doors Ltd.
36 Paraita Road, Bell Block
Private Bag 2007
New Plymouth 4342
TEL: 0800 500 141
FAX: +64 6 755 9381
www.omegawindows.co.nz



This document is intended as a guide only and is to be used in conjunction with The WANZ Guide to Window Installation as described in E2/AS1 Amendment 5 (see link below) <http://www.wanz.org.nz/download/WANZ%20Guide%20to%20E2%20AS1%20Amd%206%20V1.3%20Dec%202014.pdf>



Head Detail

5mm nom

Water resistant 'Air Seal' to perimeter of trim cavity

Continuous Water resistant 'Air Seal' to perimeter of trim cavity

Flat Packers to support unit

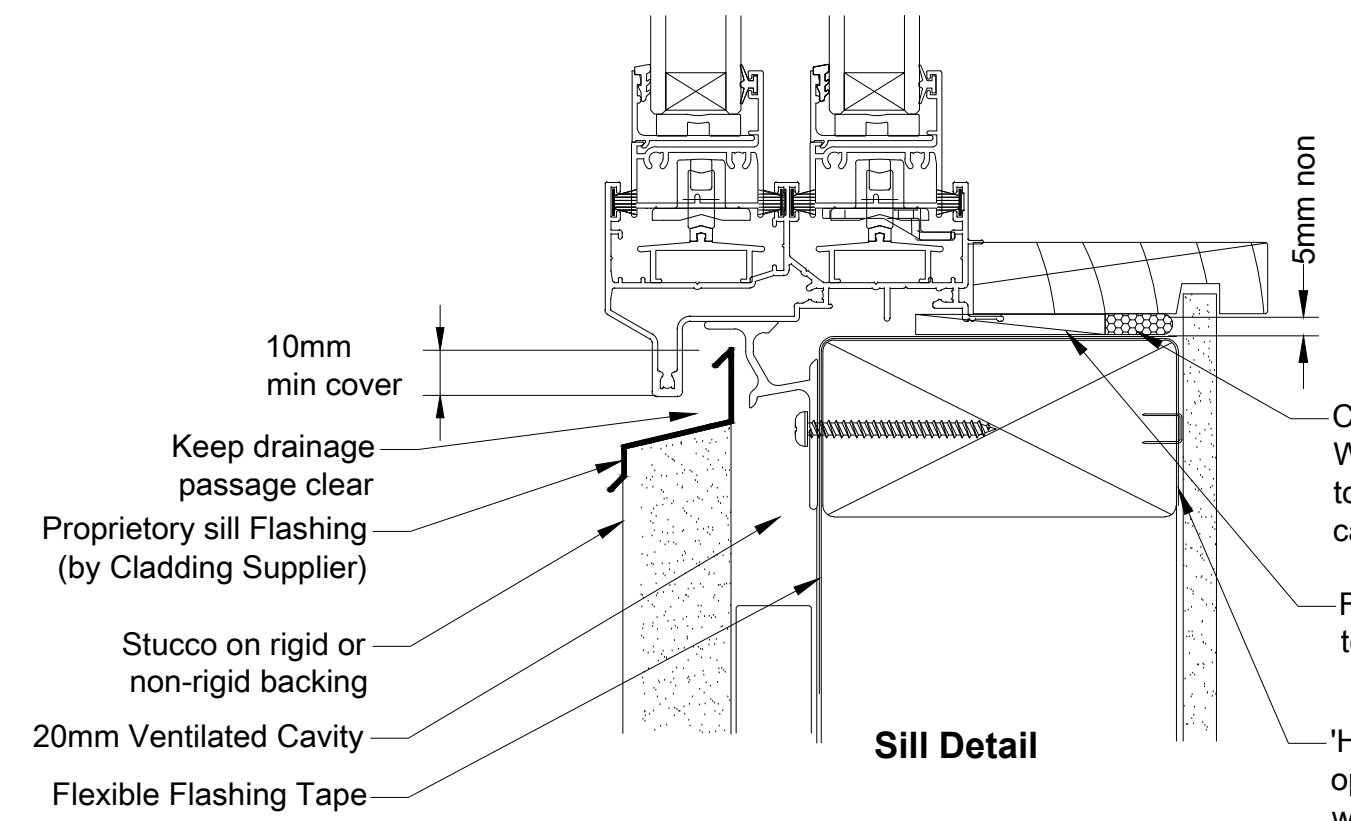
40mm wide jamb flashing with hooks each end

Stucco on rigid or non-rigid backing

Proprietary jamb flashing (by Cladding Supplier) Wet Seal (sealant with bond-breaking tape) against jamb flashing

10mm Coverage

Jamb Detail



Sill Detail

5mm nom

Continuous Water resistant 'Air Seal' to perimeter of trim cavity

Flat Packers to support unit

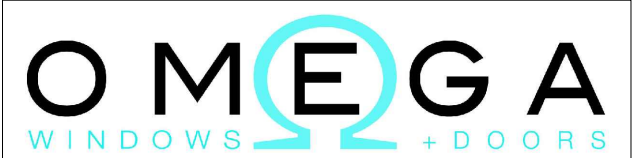
'House Wrap' folded into opening and fixed to frame with approved fixings

DATE:
07/04/2015
SCALE:
1:2 @ A3
ISSUE:
No: 002

WANZ WIS CAVITY CONSTRUCTION STUCCO (recessed) - SLIDING WINDOW

Page : ccSTRsw

OMEGA Windows & Doors Ltd.
36 Paraiti Road, Bell Block
Private Bag 2007
New Plymouth 4342
TEL: 0800 500 141
FAX: +64 6 755 9381
www.omegawindows.co.nz



This document is intended as a guide only and is to be used in conjunction with The WANZ Guide to Window Installation as described in E2/AS1 Amendment 5 (see link below) <http://www.wanz.org.nz/download/WANZ%20Guide%20to%20E2%20AS1%20Amd%206%20V1.3%20Dec%202014.pdf>