

DATE:
07/04/2015

SCALE:
1:2 @ A3

ISSUE:
No: 002

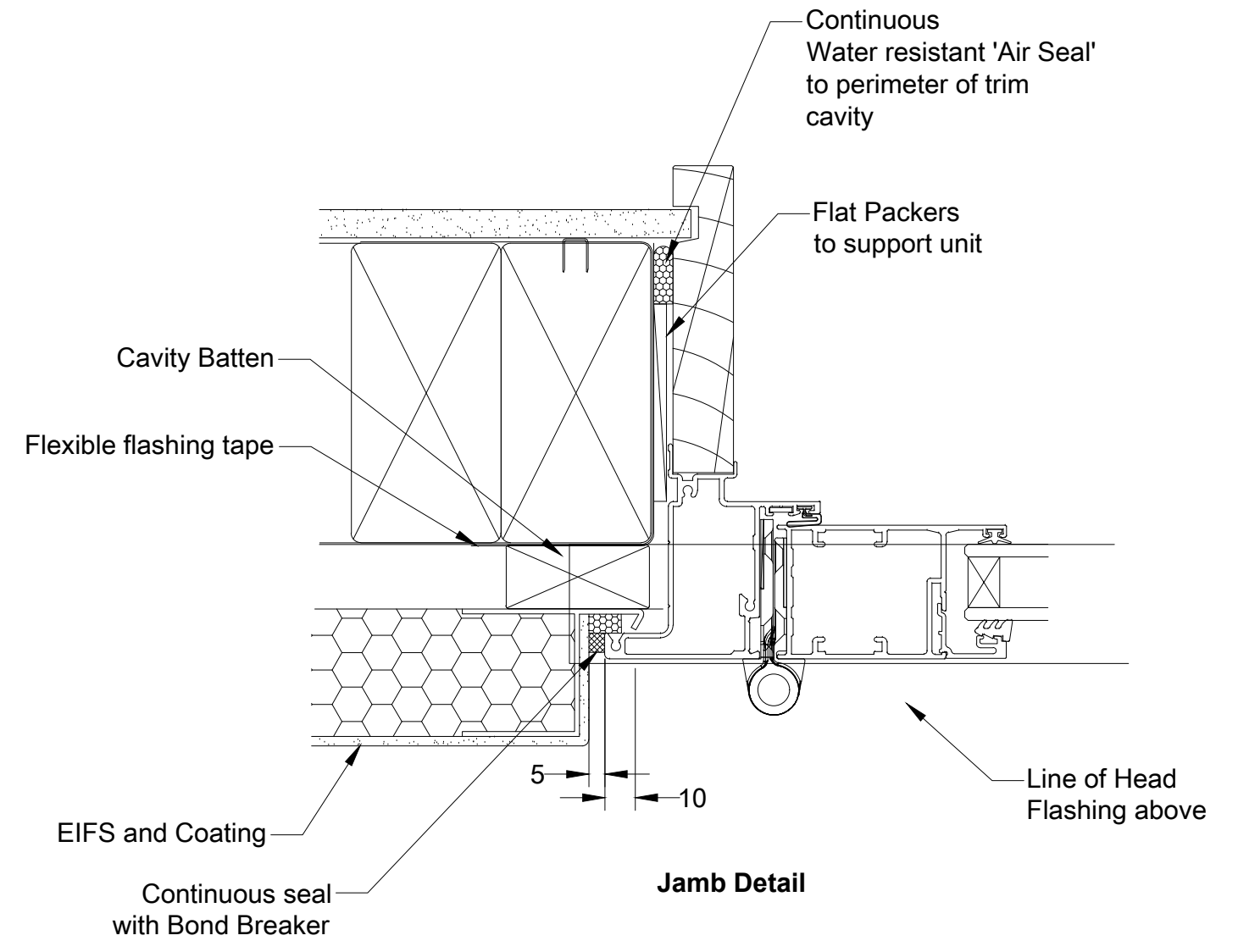
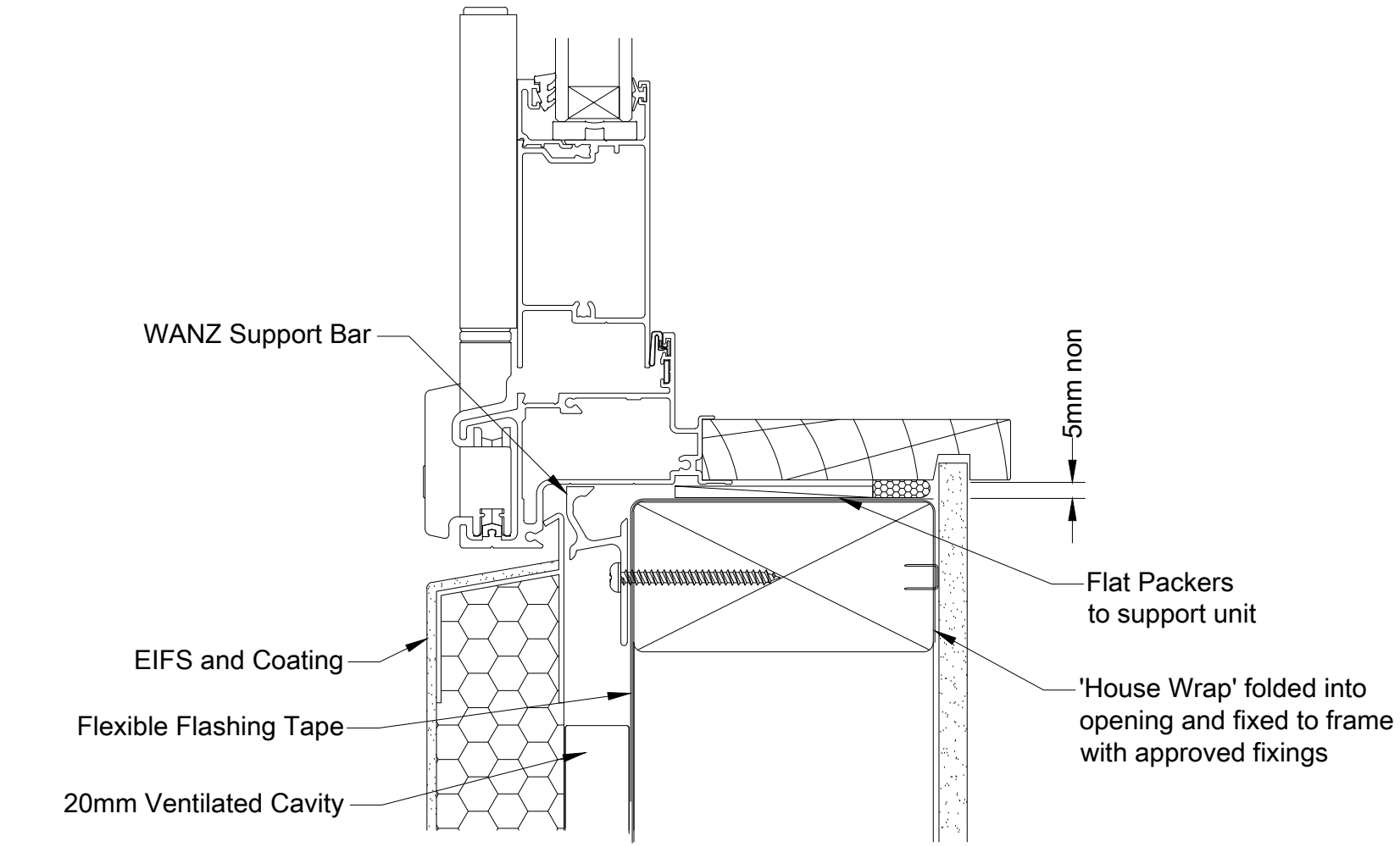
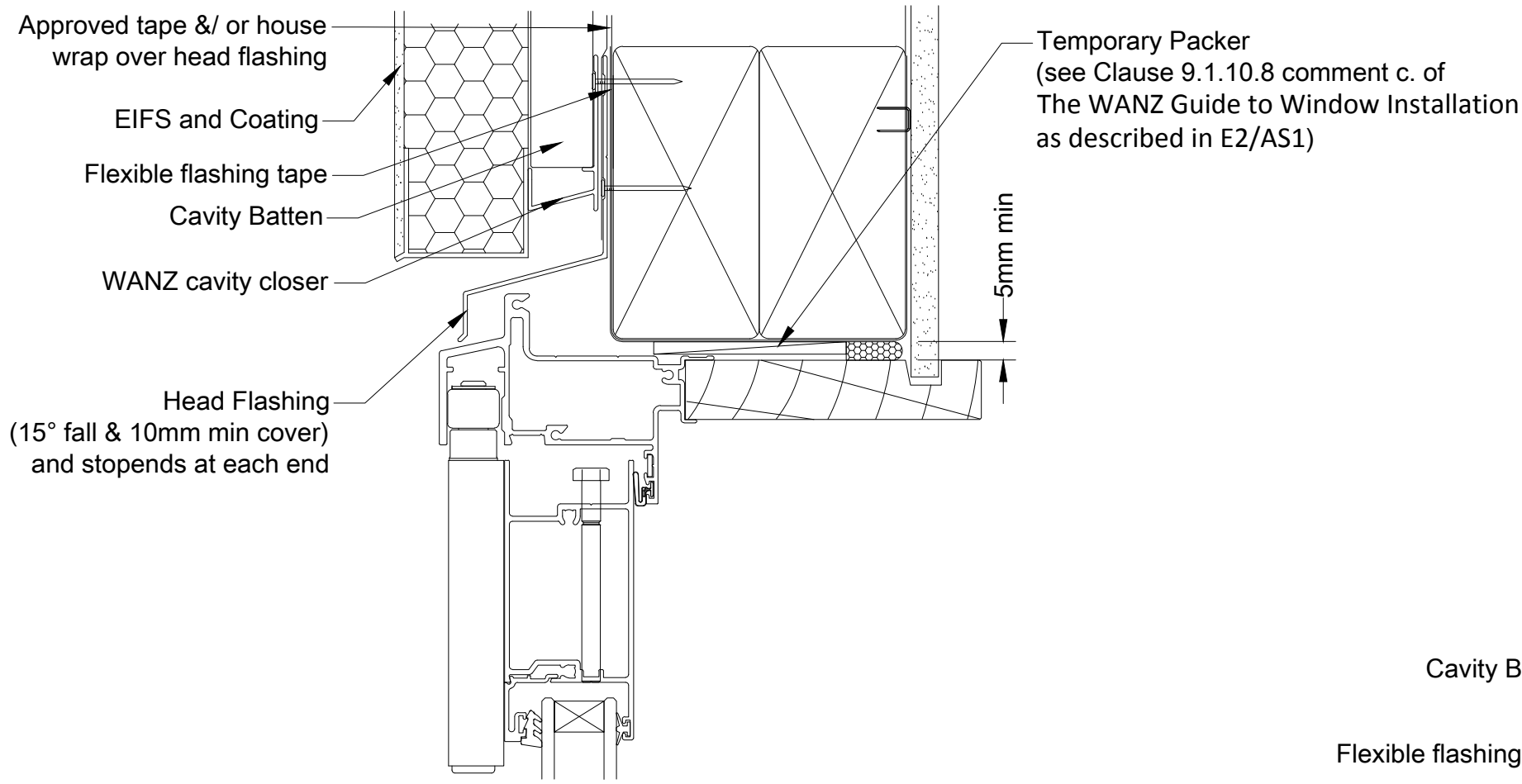
**WANZ WIS CAVITY CONSTRUCTION
EIFS (recessed) - AWNING WINDOW**

Page : ccEIFSaw

OMEGA Windows & Doors Ltd.
36 Paraita Road, Bell Block
Private Bag 2007
New Plymouth 4342
TEL: 0800 500 141
FAX: +64 6 755 9381
www.omegawindows.co.nz



This document is intended as a guide only and is to be used in conjunction with The Wanz Guide to Window Installation as described in E2/AS1 Amendment 5 (see link below) <http://www.wanz.org.nz/download/WANZ%20Guide%20to%20E2%20AS1%20Amd%206%20V1.3%20Dec%202014.pdf>



Jamb Detail

DATE:
07/04/2015

SCALE:
1:2 @ A3

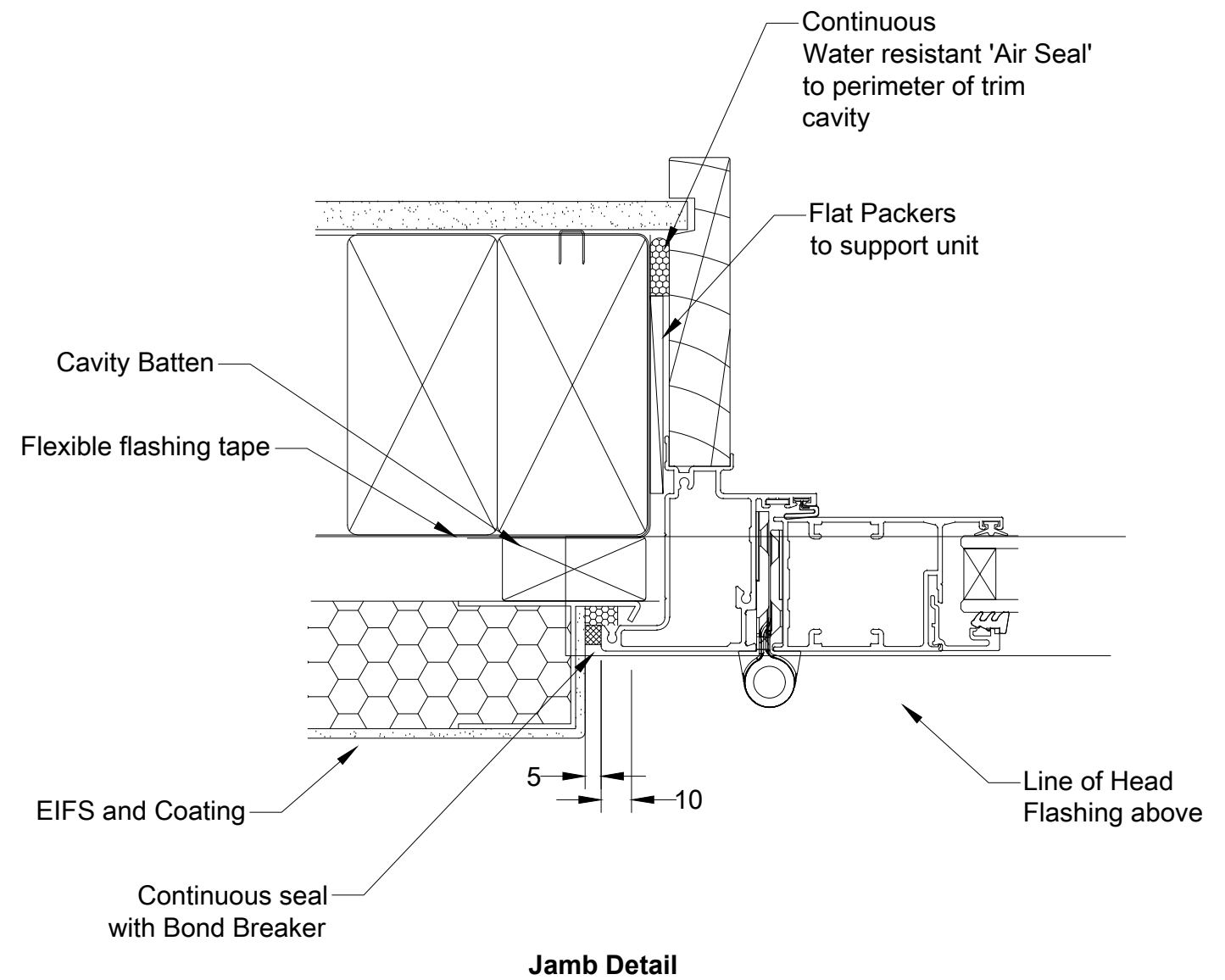
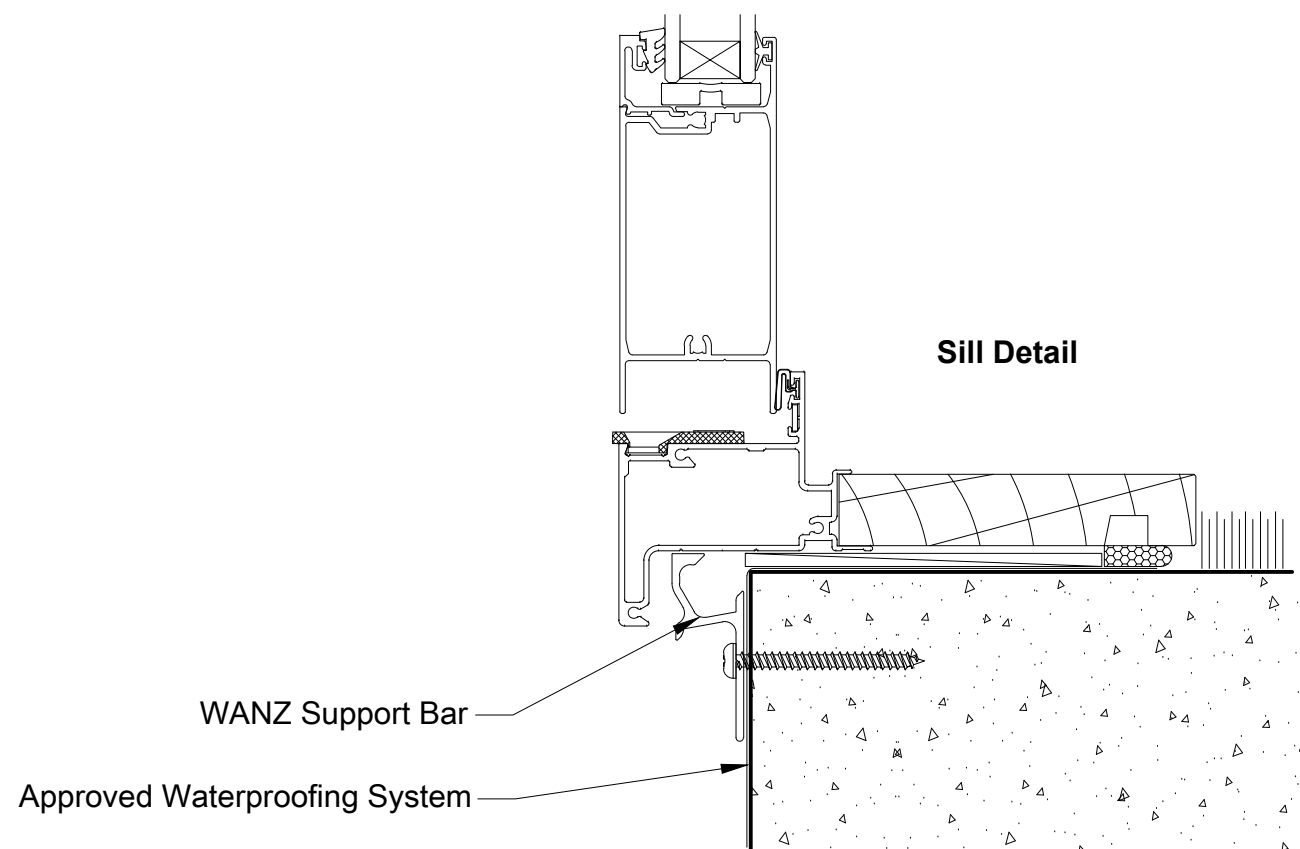
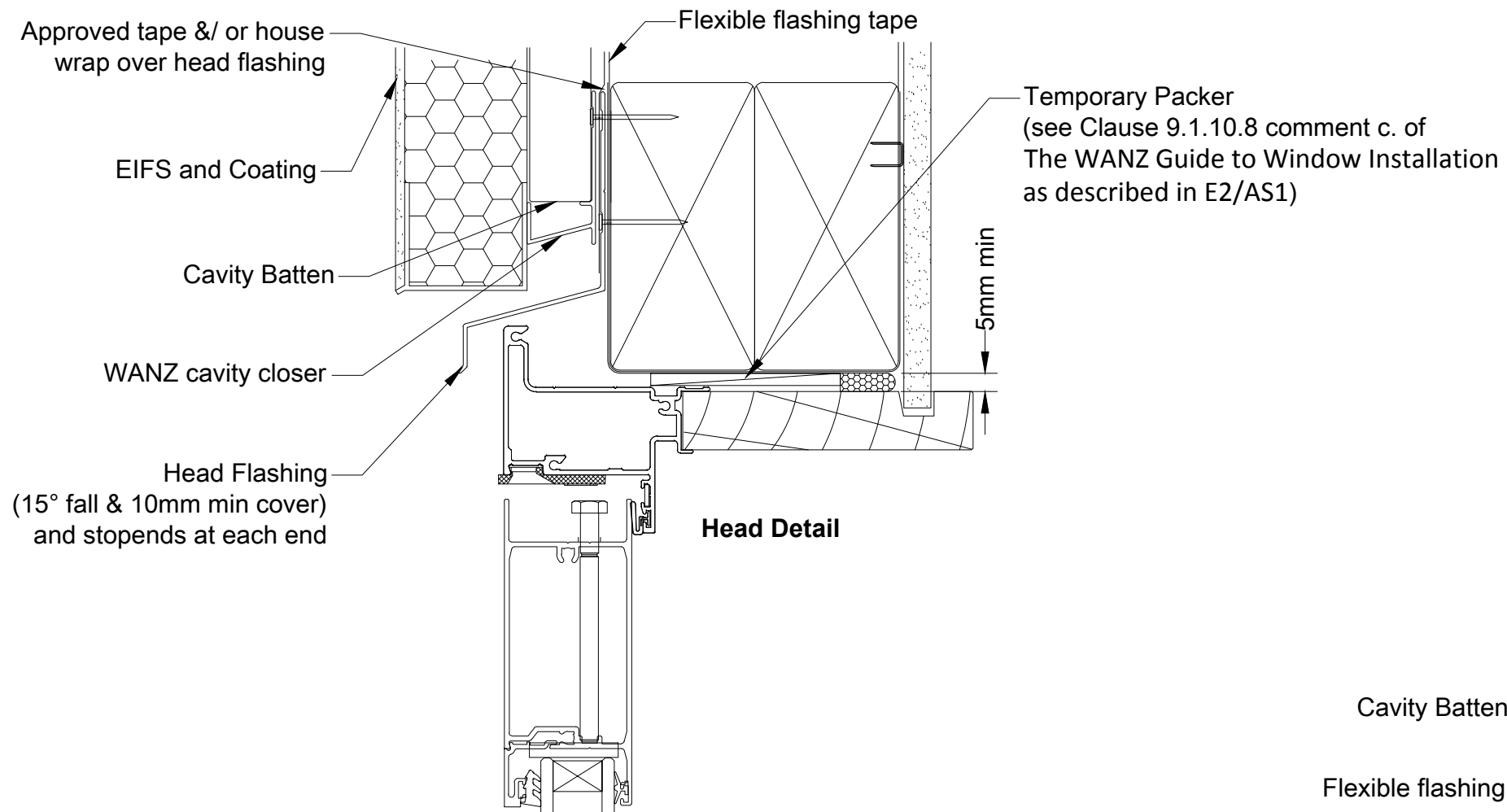
ISSUE:
No: 002

**WANZ WIS CAVITY CONSTRUCTION
EIFS (recessed) - BI FOLD WINDOW**

Page : ccEIFbw

OMEGA Windows & Doors Ltd.
36 Paraita Road, Bell Block
Private Bag 2007
New Plymouth 4342
TEL: 0800 500 141
FAX: +64 6 755 9381
www.omegawindows.co.nz





DATE:
07/04/2015

SCALE:
1:2 @ A3

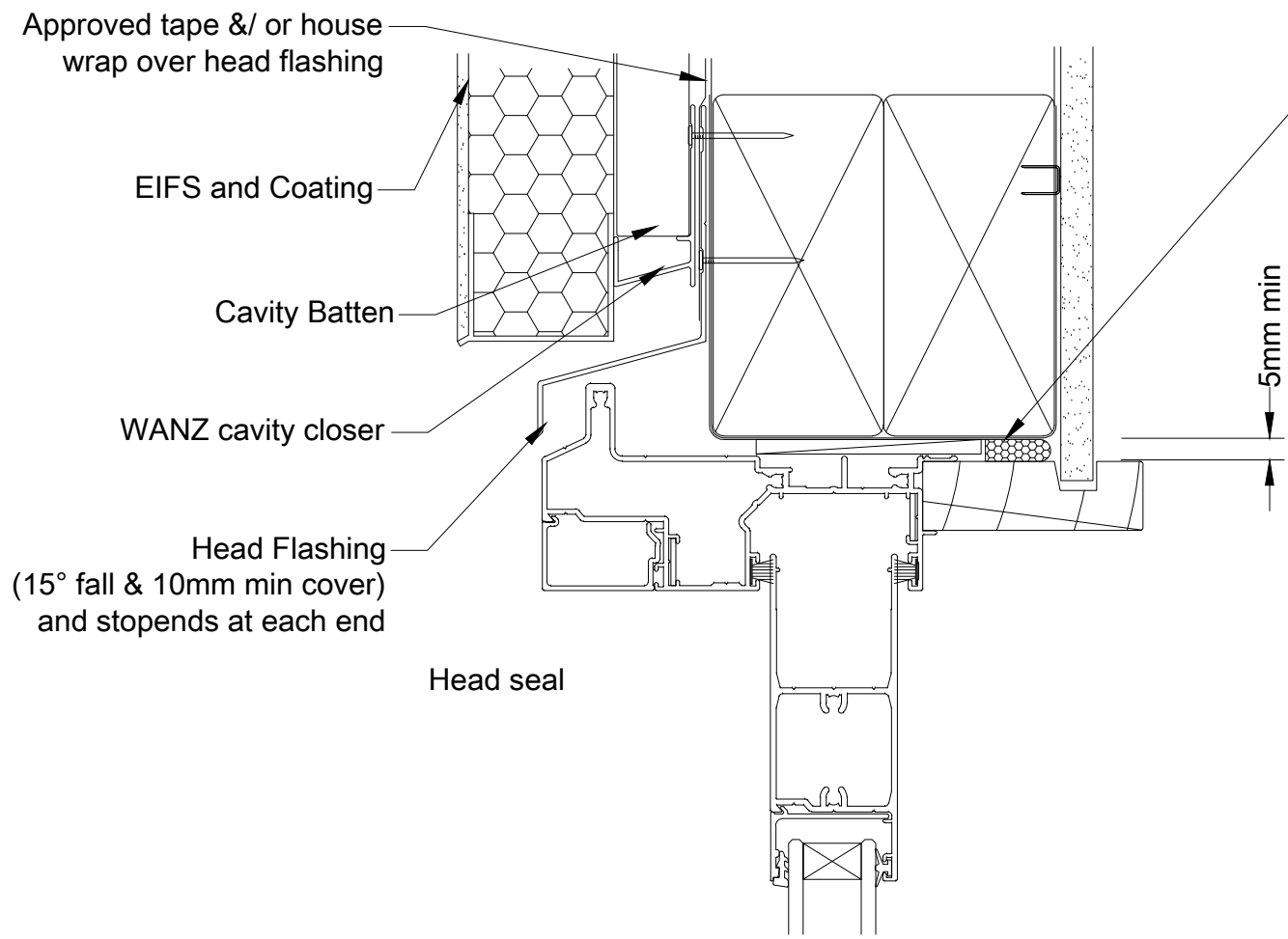
ISSUE:
No: 002

**WANZ WIS CAVITY CONSTRUCTION
EIFS (recessed) - HINGED DOOR**

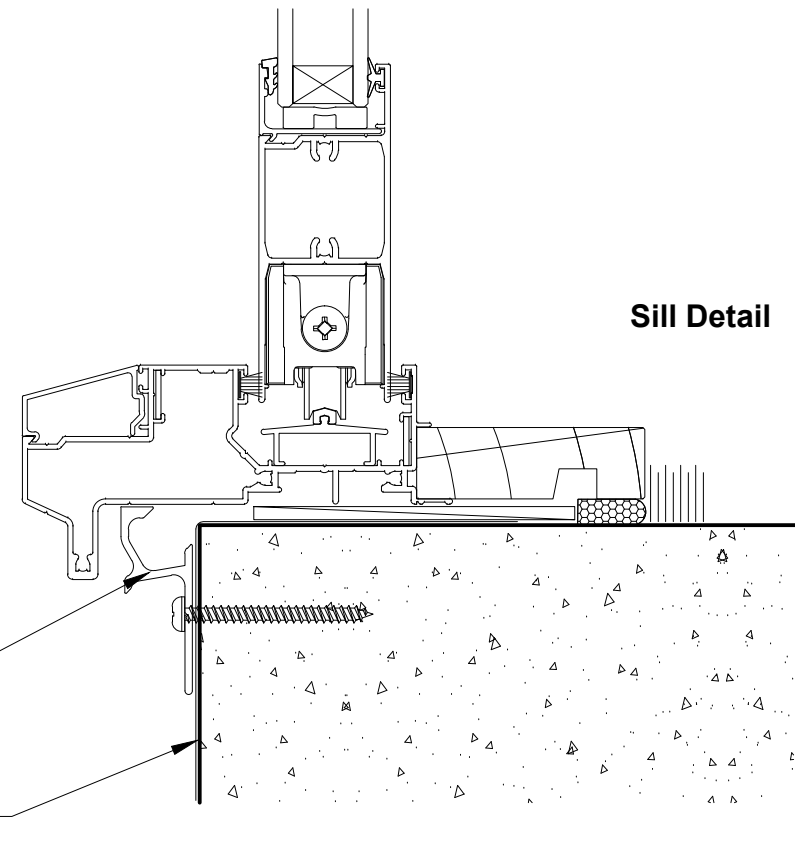
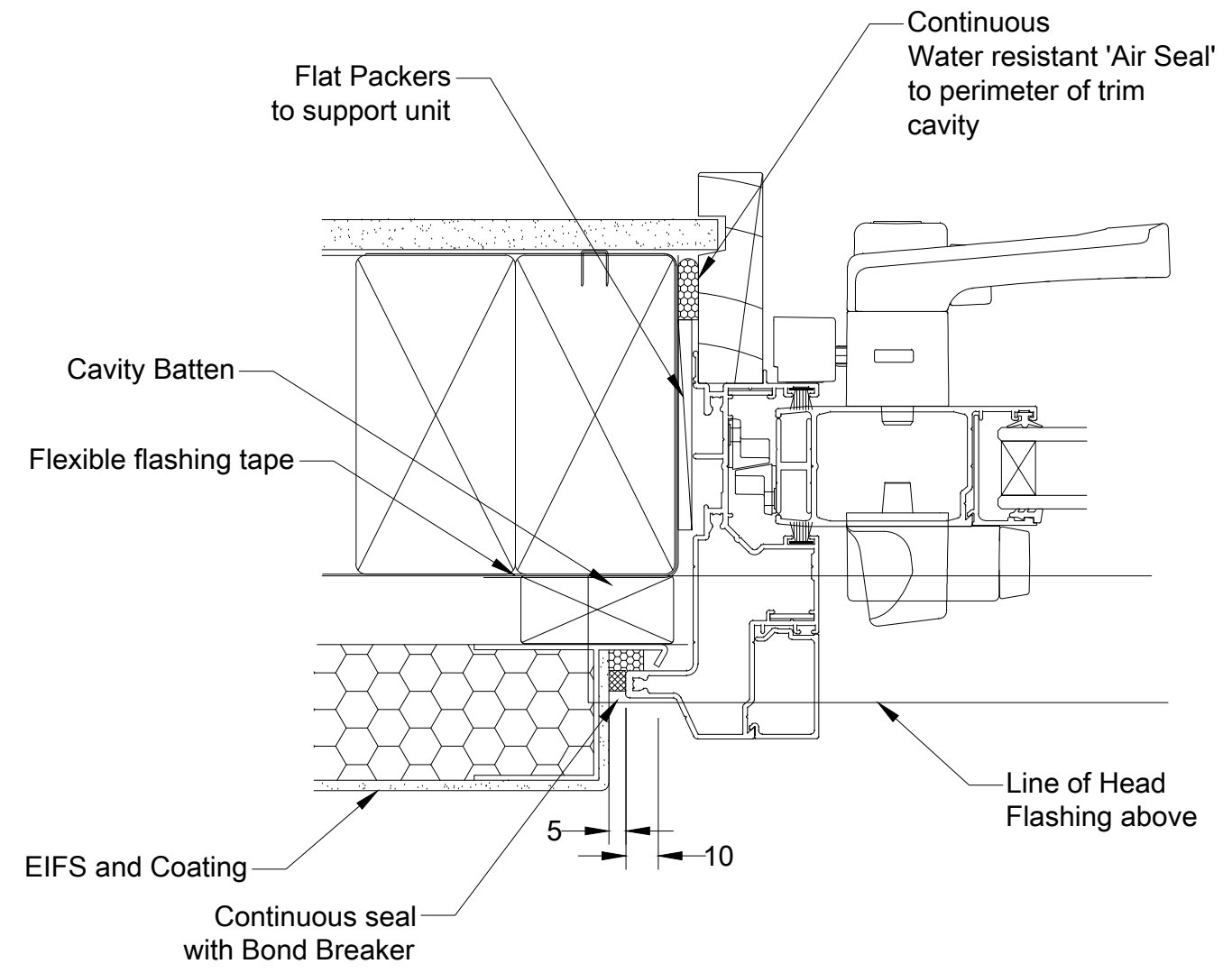
Page : ccEIFhd

OMEGA Windows & Doors Ltd.
36 Paraiti Road, Bell Block
Private Bag 2007
New Plymouth 4342
TEL: 0800 500 141
FAX: +64 6 755 9381
www.omegawindows.co.nz





Temporary Packer
(see Clause 9.1.10.8 comment c. of The WANZ Guide to Window Installation as described in E2/AS1)



Sill Detail

Jamb Detail

DATE:
07/04/2015

SCALE:
1:2 @ A3

ISSUE:
No: 002

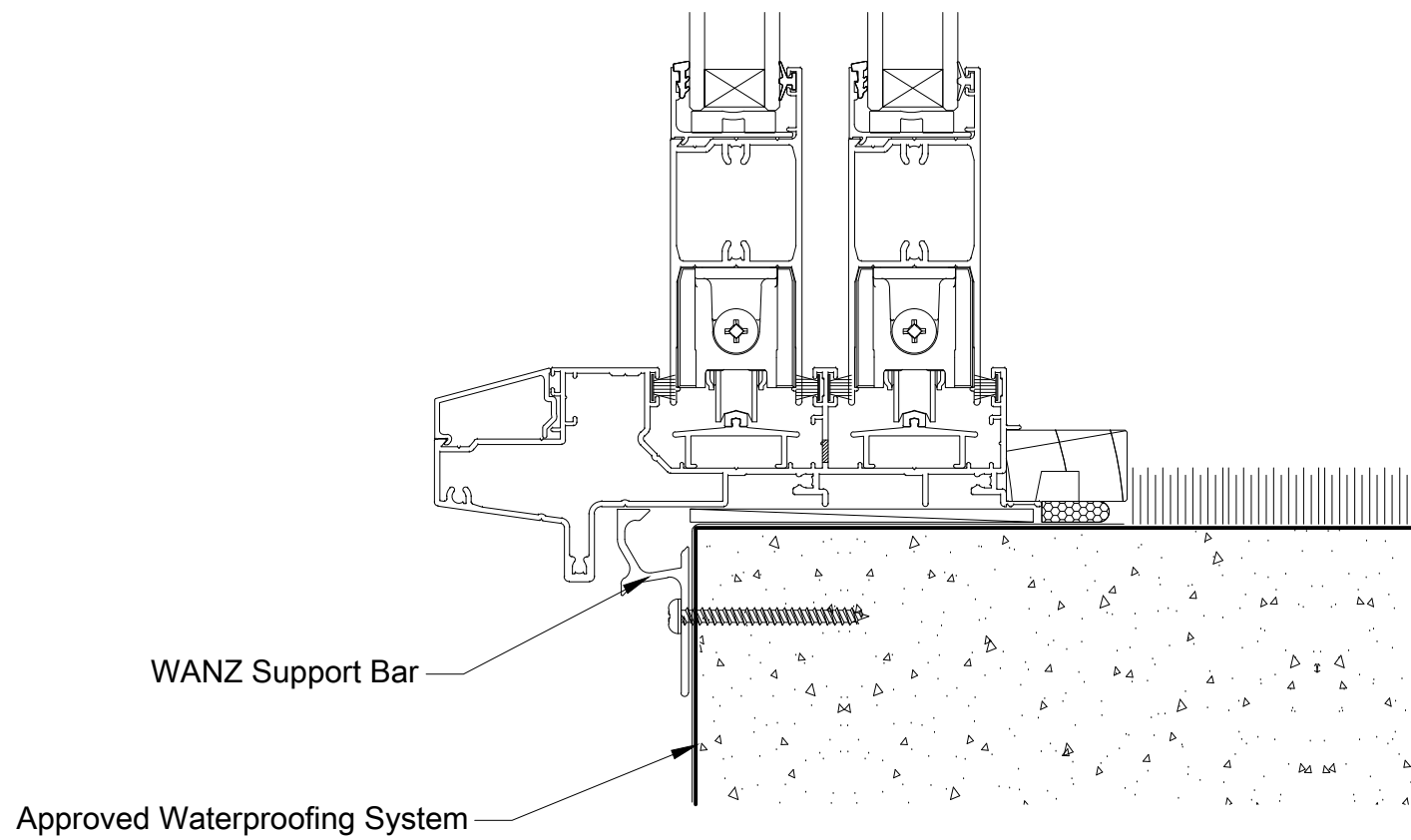
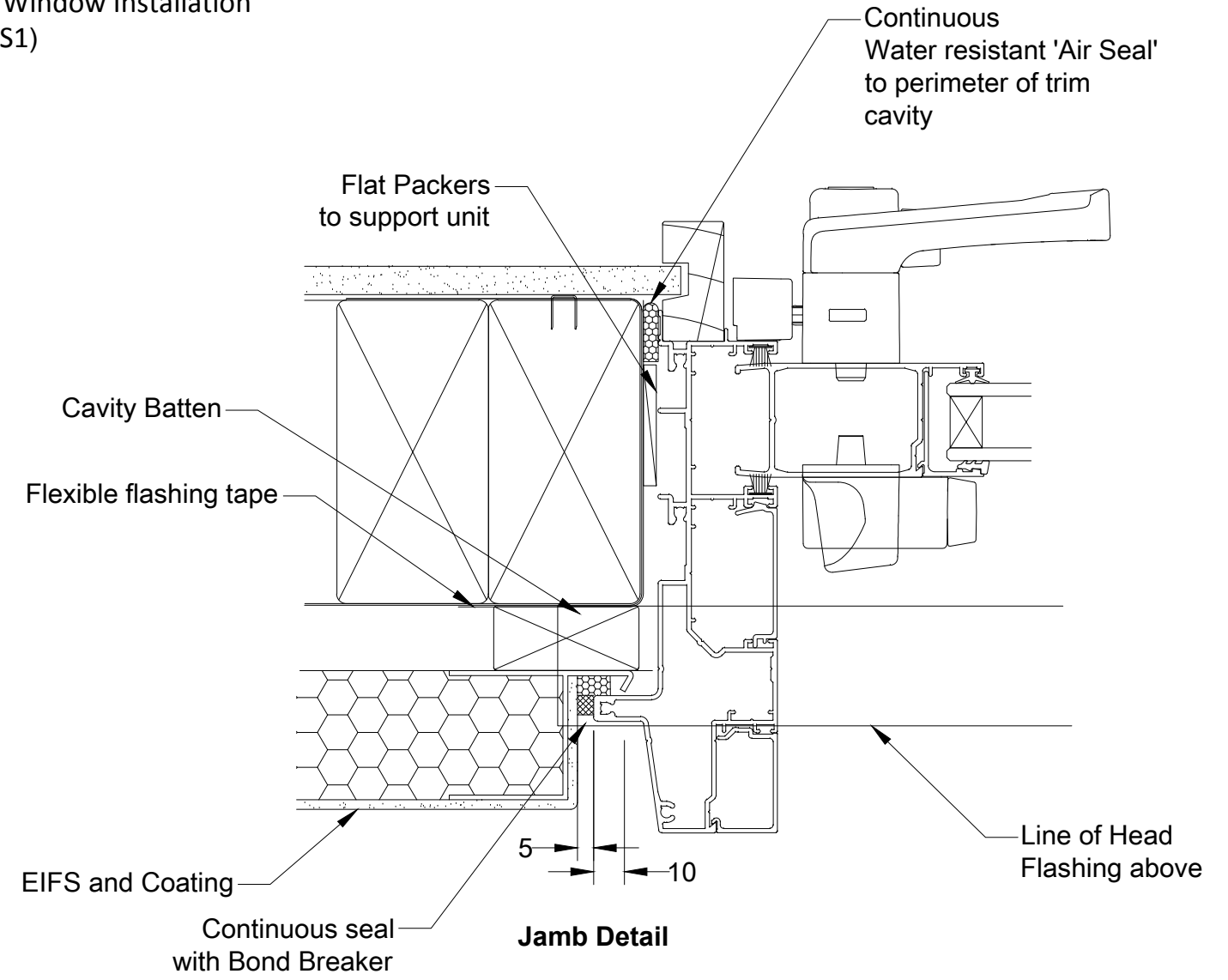
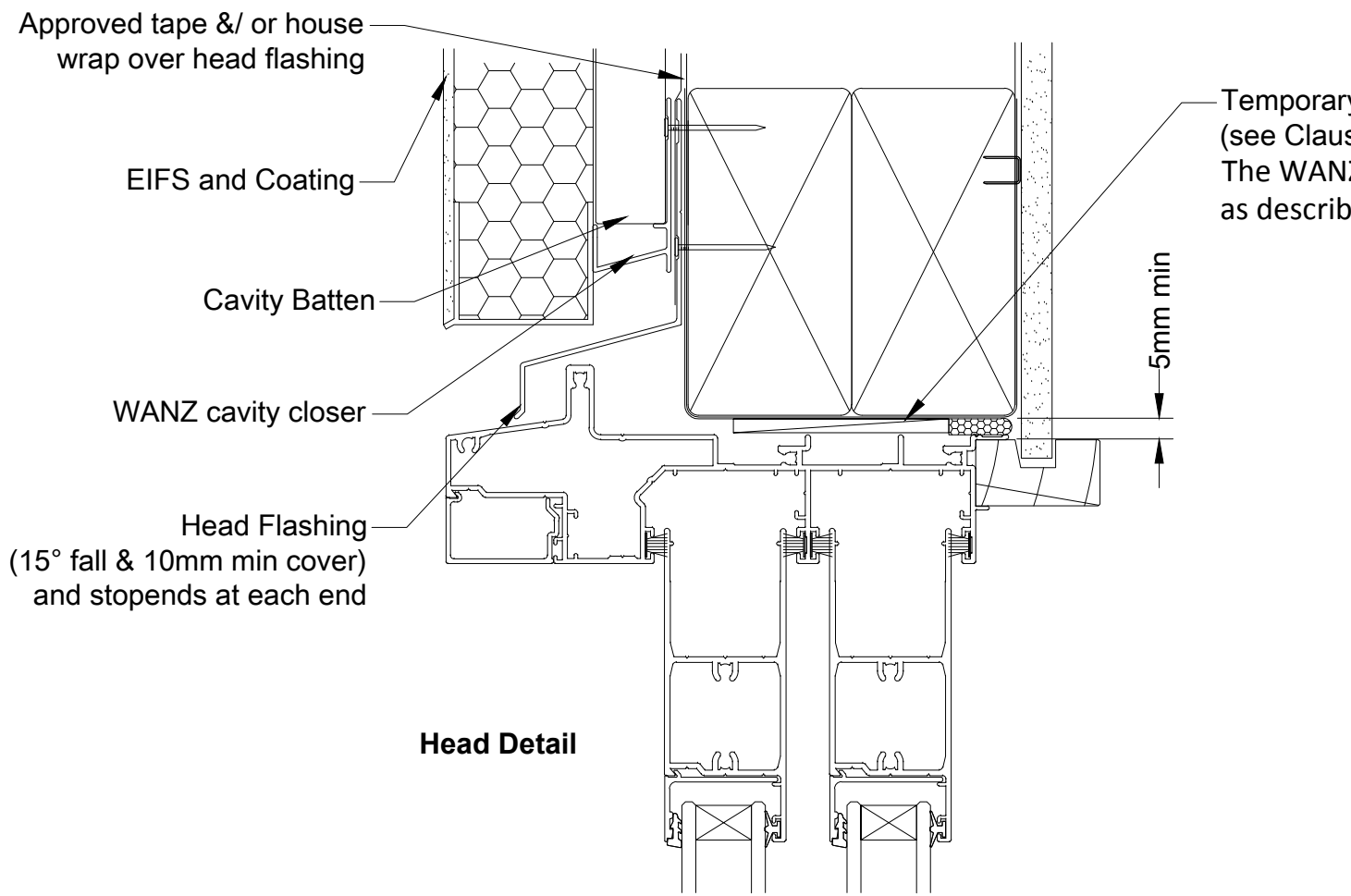
**WANZ WIS CAVITY CONSTRUCTION
EIFS (recessed) - SLIDING DOOR**

Page : ccEIFsld

OMEGA Windows & Doors Ltd.
36 Paraiti Road, Bell Block
Private Bag 2007
New Plymouth 4342
TEL: 0800 500 141
FAX: +64 6 755 9381
www.omegawindows.co.nz



This document is intended as a guide only and is to be used in conjunction with The WANZ Guide to Window Installation as described in E2/AS1 Amendment 5 (see link below)
<http://www.wanz.org.nz/download/WANZ%20Guide%20to%20E2%20AS1%20Amd%206%20V1.3%20Dec%202014.pdf>



DATE:
07/04/2015

SCALE:
1:2 @ A3

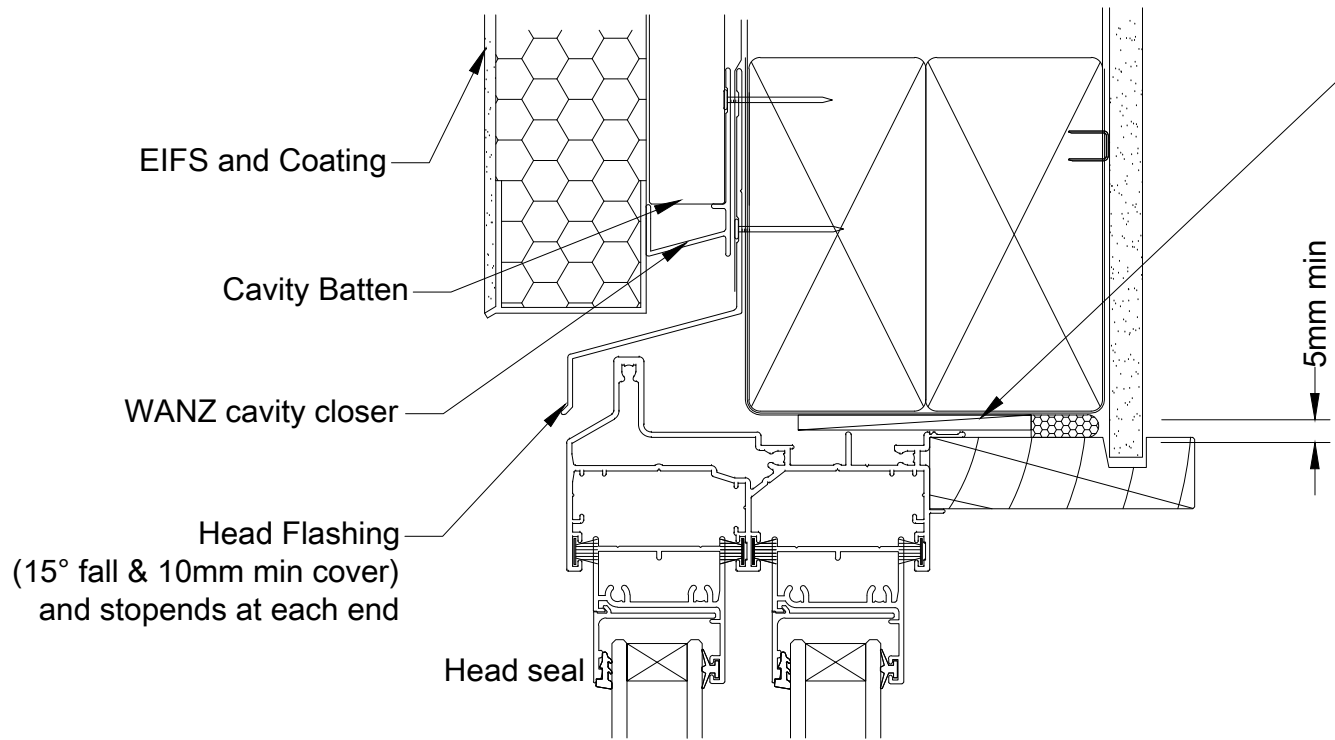
ISSUE:
No: 002

**Wanz WIS Cavity Construction
EIFS (recessed) - STAKER**

Page : ccEIFstk

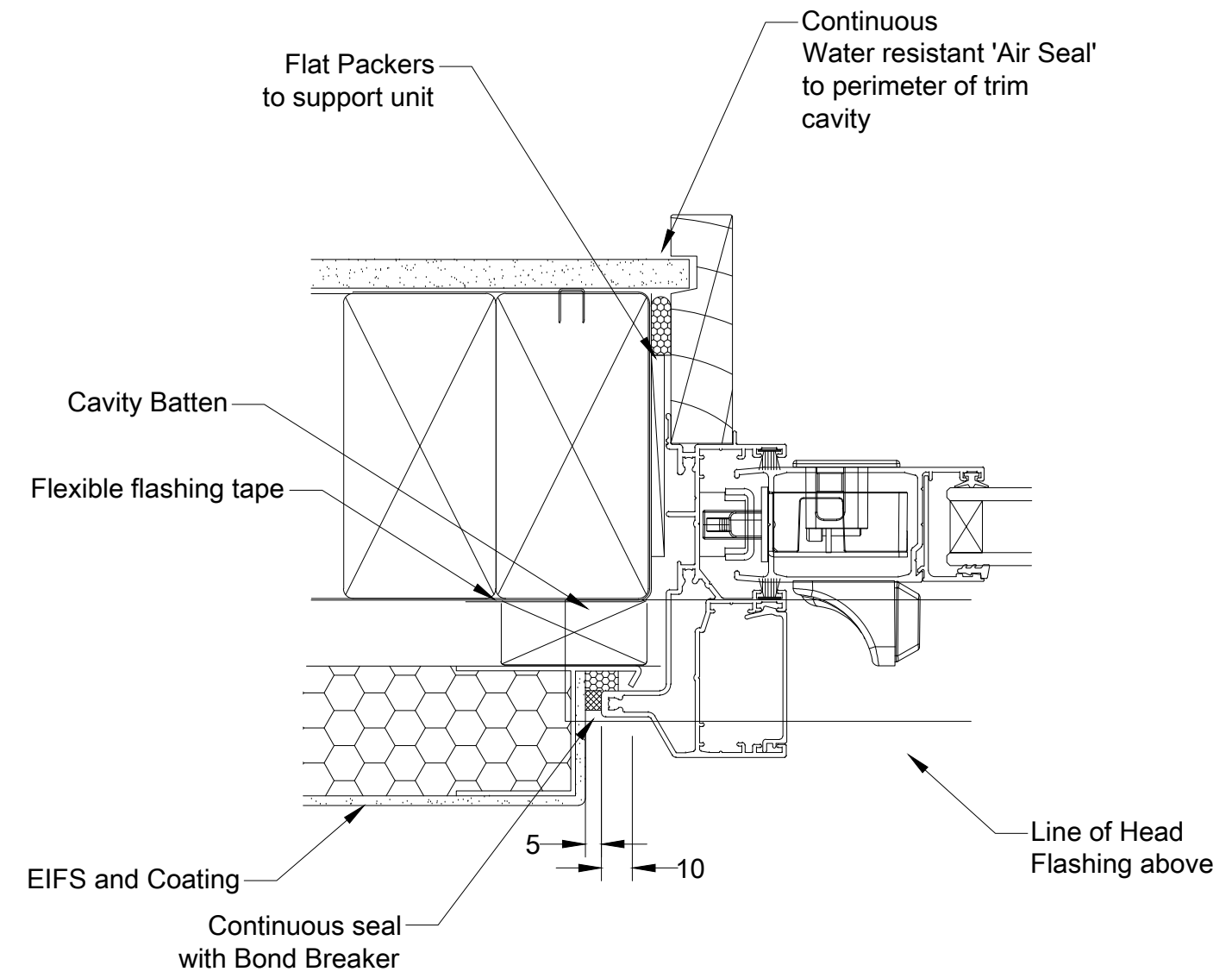
OMEGA Windows & Doors Ltd.
36 Paraiti Road, Bell Block
Private Bag 2007
New Plymouth 4342
TEL: 0800 500 141
FAX: +64 6 755 9381
www.omegawindows.co.nz



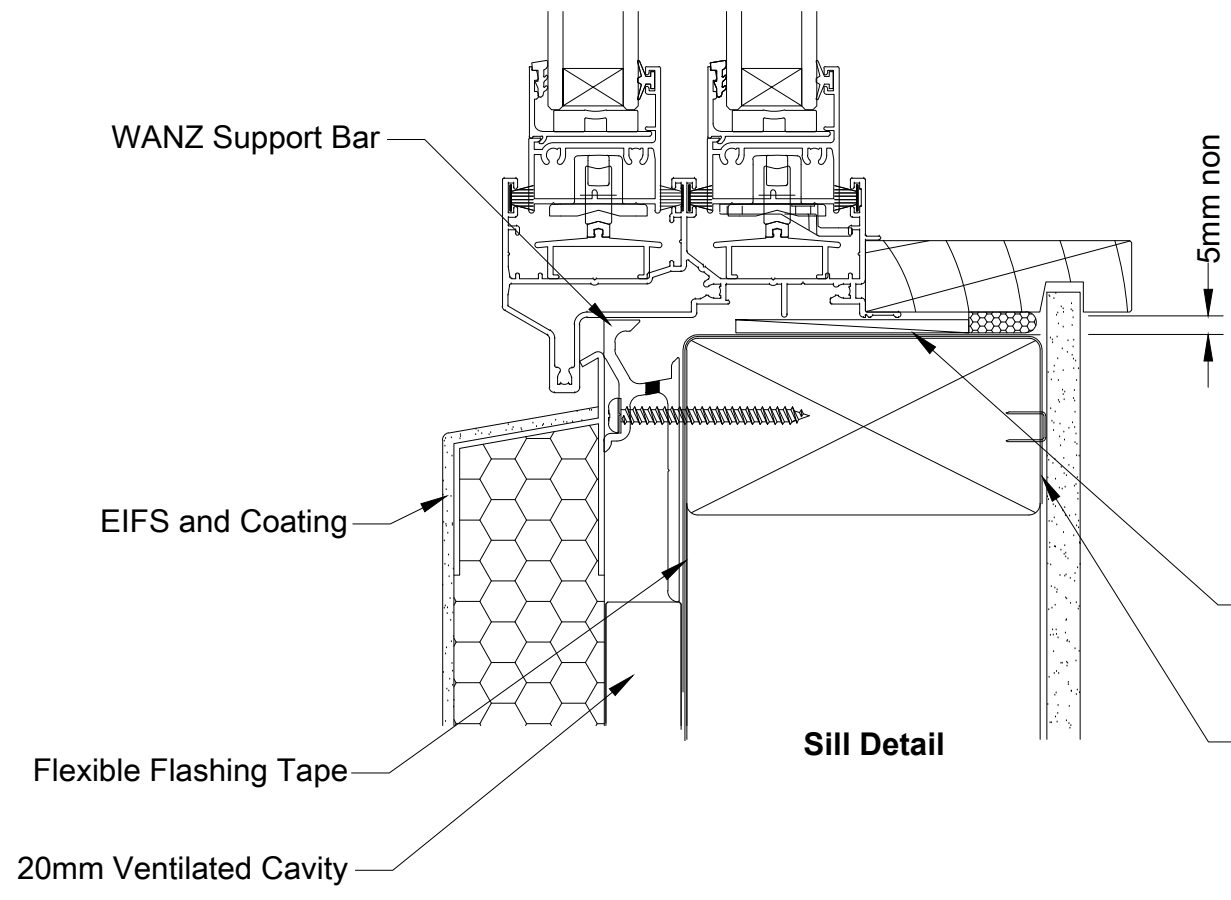


Temporary Packer
(see Clause 9.1.10.8 comment c. of
The Wanz Guide to Window Installation
as described in E2/AS1)

5mm min



Jamb Detail



Sill Detail

DATE:
07/04/2015

SCALE:
1:2 @ A3

ISSUE:
No: 002

**Wanz WIS Cavity Construction
EIFS (recessed) - SLIDING WINDOW**

Page : ccEIFsw

OMEGA Windows & Doors Ltd.
36 Paraiti Road, Bell Block
Private Bag 2007
New Plymouth 4342
TEL: 0800 500 141
FAX: +64 6 755 9381
www.omegawindows.co.nz



This document is intended as a guide only and is to be used in conjunction with
The Wanz Guide to Window Installation as described in E2/AS1 Amendment 5 (see link below)
<http://www.wanz.org.nz/download/Wanz%20Guide%20to%20E2%20AS1%20Amd%206%20V1.3%20Dec%202014.pdf>