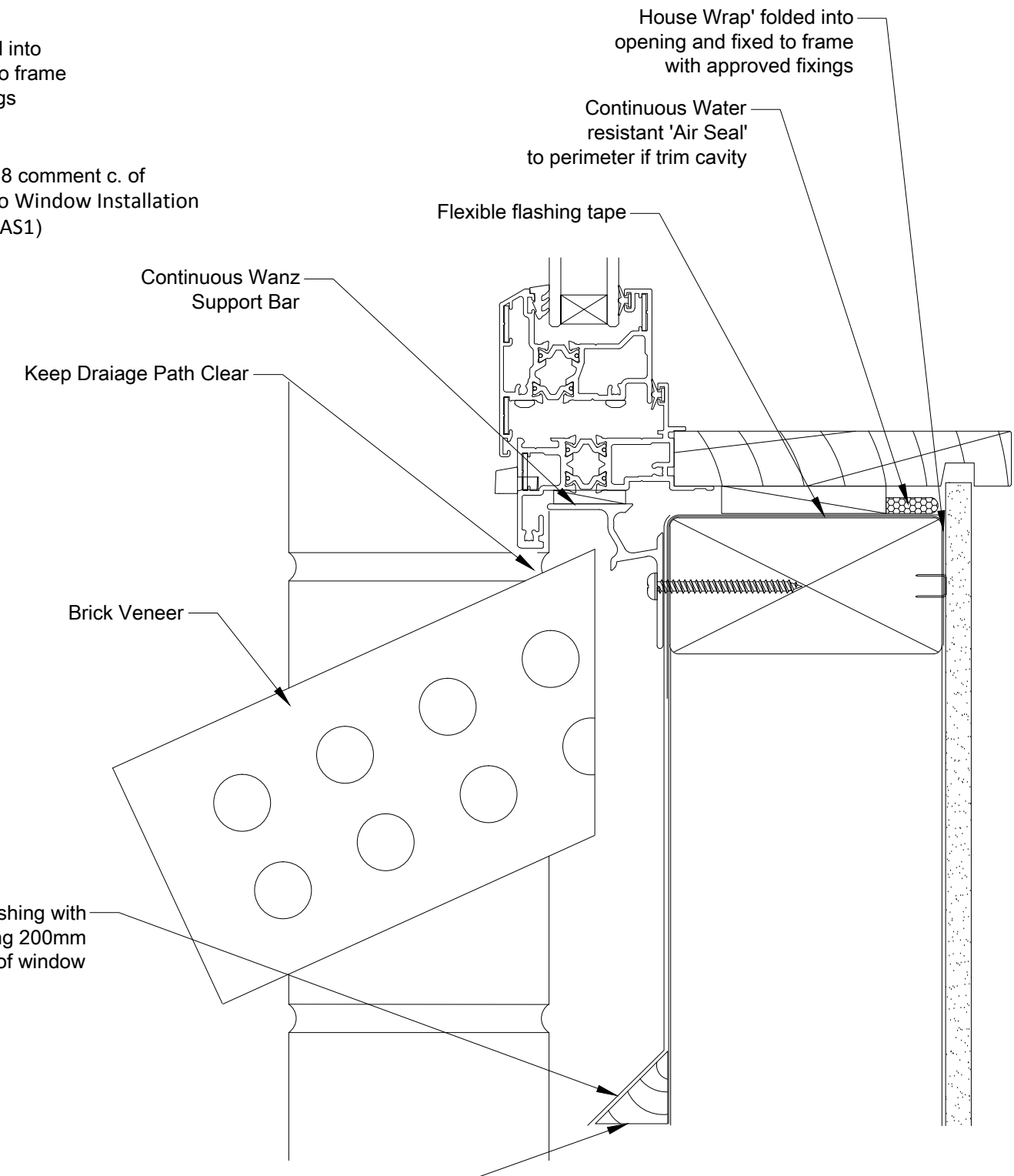
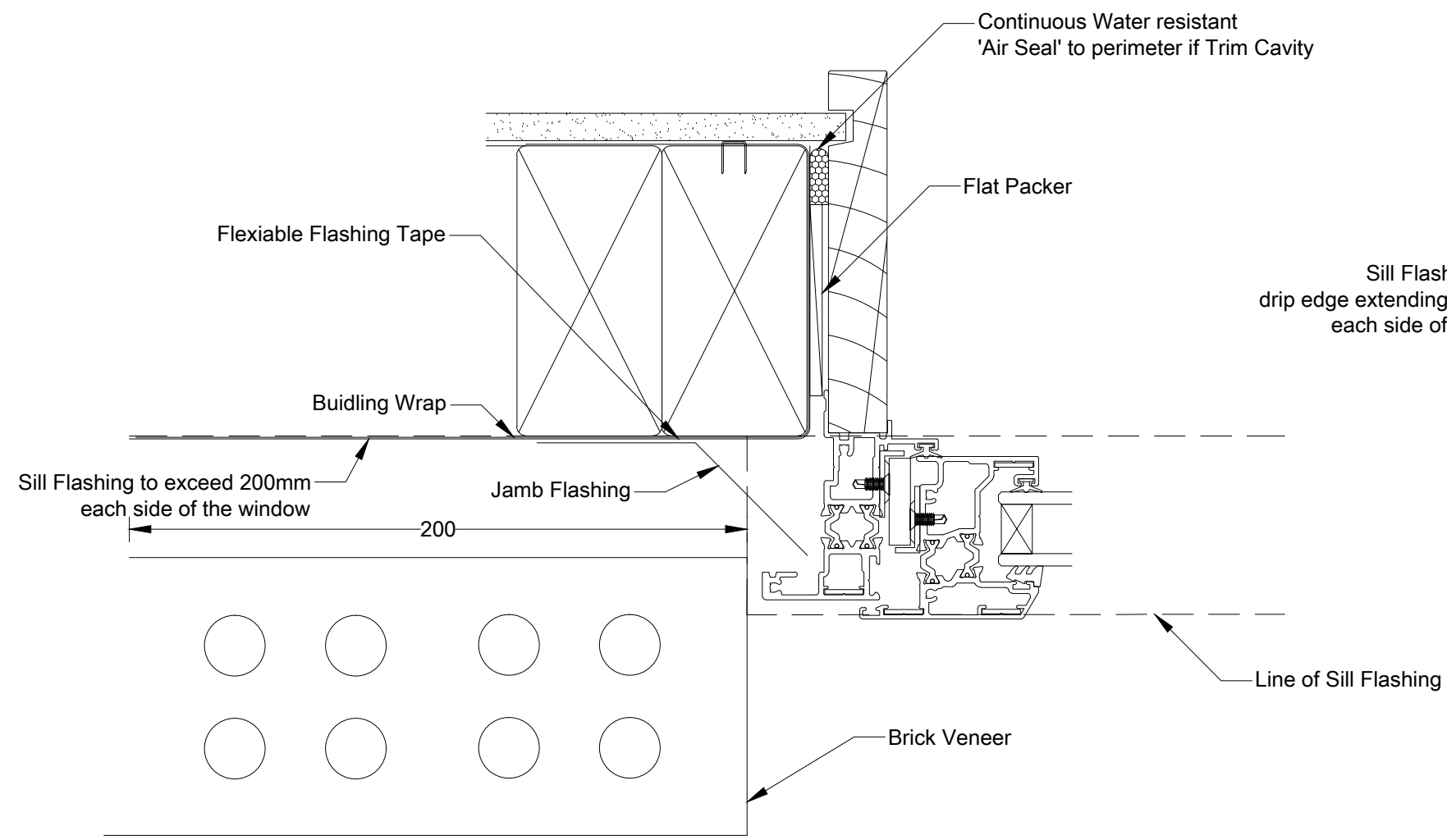


Head Detail



Sill Detail



Jamb Detail

DATE:
07/04/2015

SCALE:
1:2 @ A3

ISSUE:
No: 002

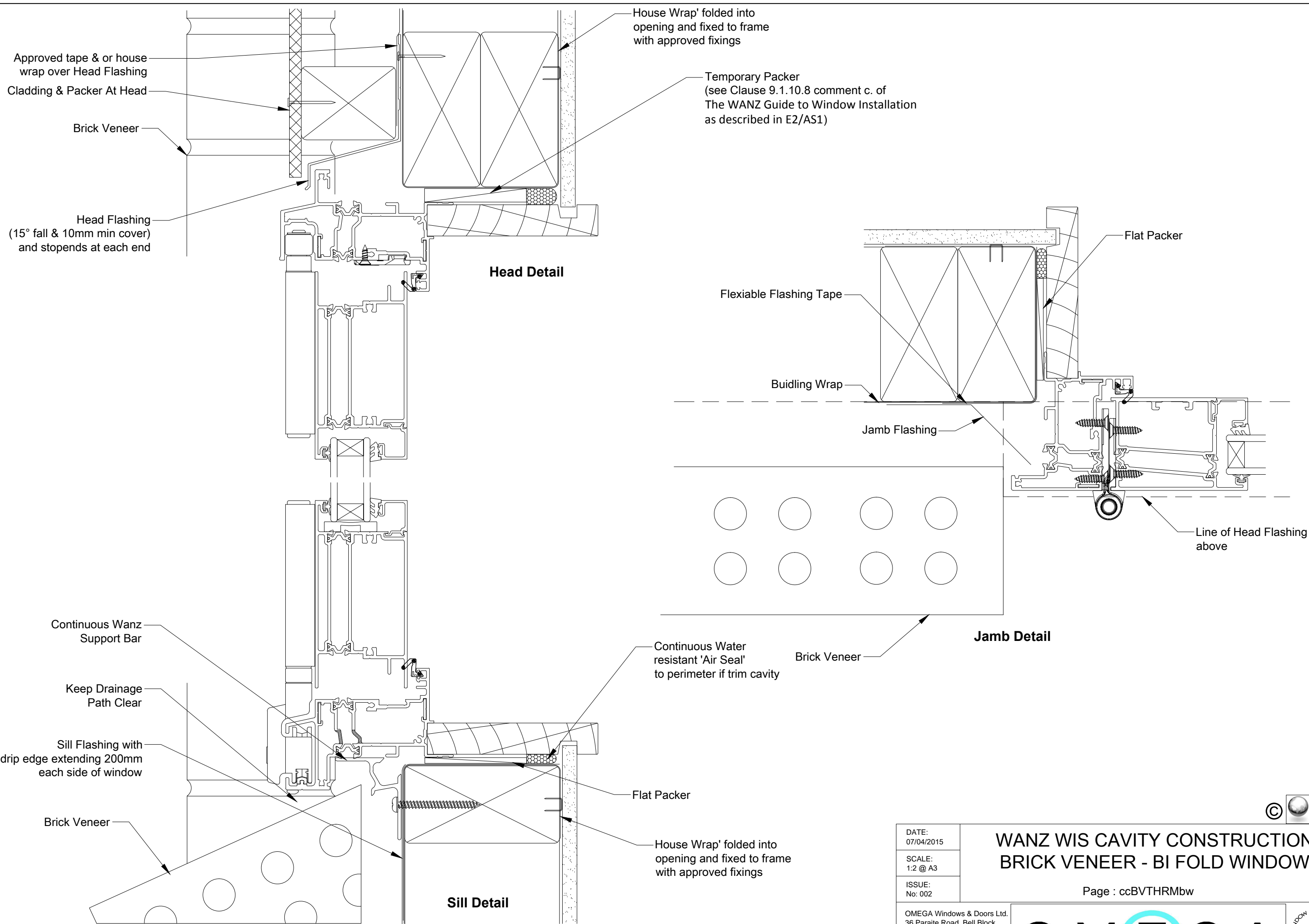
**WANZ WIS CAVITY CONSTRUCTION
BRICK VENEER - BI FOLD WINDOW**

Page : ccBVTHRMaw

OMEGA Windows & Doors Ltd.
36 Paraita Road, Bell Block
Private Bag 2007
New Plymouth 4342
TEL: 0800 500 141
FAX: +64 6 755 9381
www.omegawindows.co.nz



This document is intended as a guide only and is to be used in conjunction with
The WANZ Guide to Window Installation as described in E2/AS1 Amendment 5 (see link below)
<http://www.wanz.org.nz/download/WANZ%20Guide%20to%20E2%20AS1%20Amd%206%20V1.3%20Dec%202014.pdf>



DATE:
07/04/2015

SCALE:
1:2 @ A3

ISSUE:
No: 002

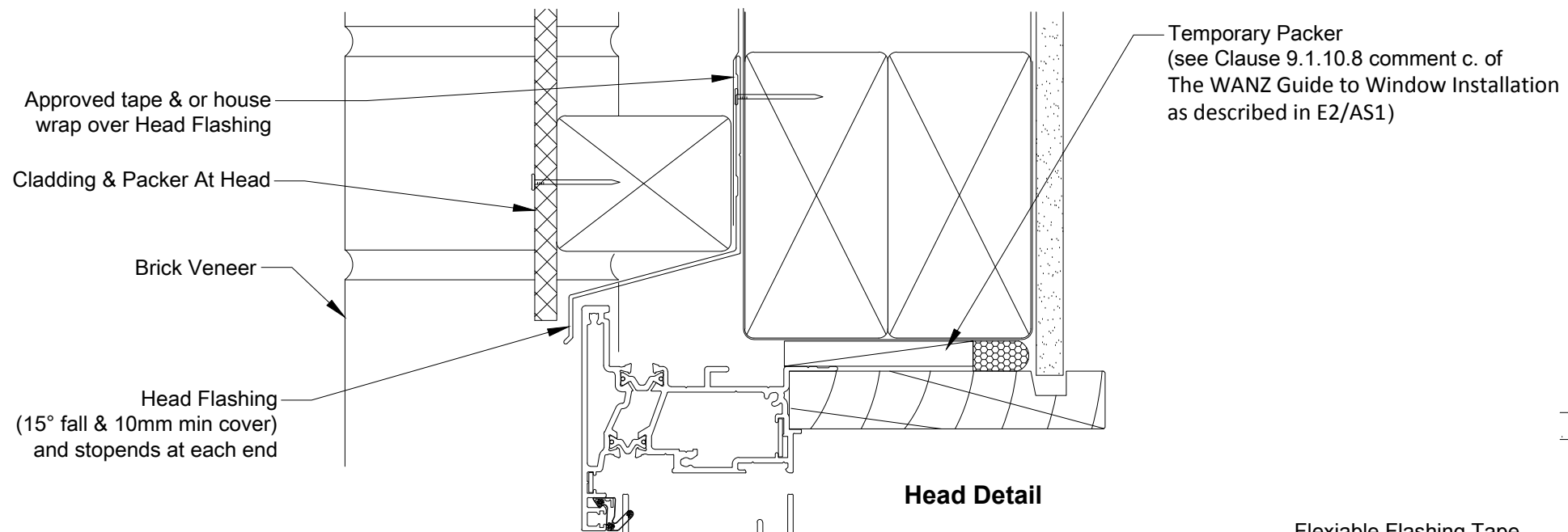
**WANZ WIS CAVITY CONSTRUCTION
BRICK VENEER - BI FOLD WINDOW**

Page : ccBVTHRMbw

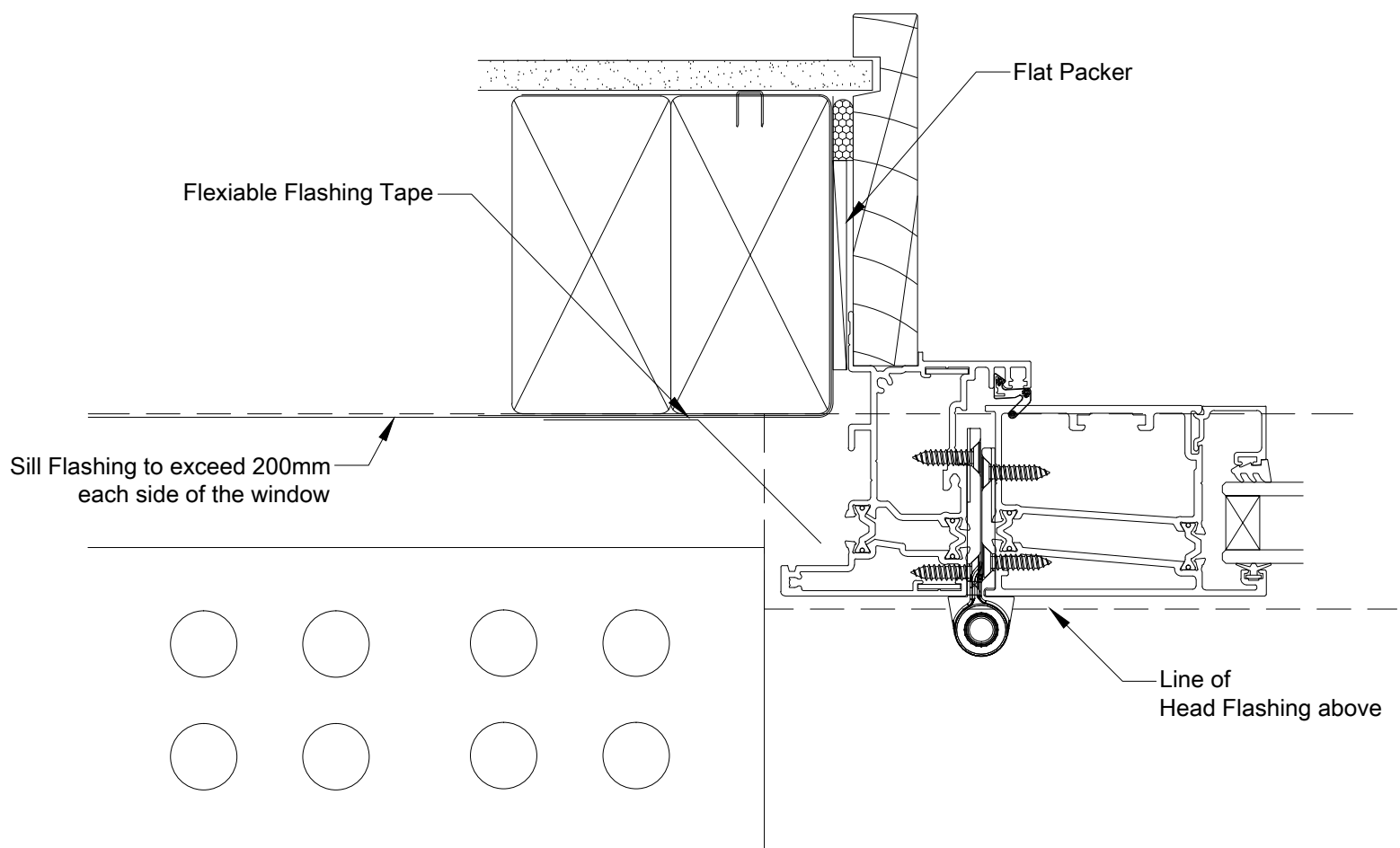
OMEGA Windows & Doors Ltd.
36 Paraita Road, Bell Block
Private Bag 2007
New Plymouth 4342
TEL: 0800 500 141
FAX: +64 6 755 9381
www.omegawindows.co.nz



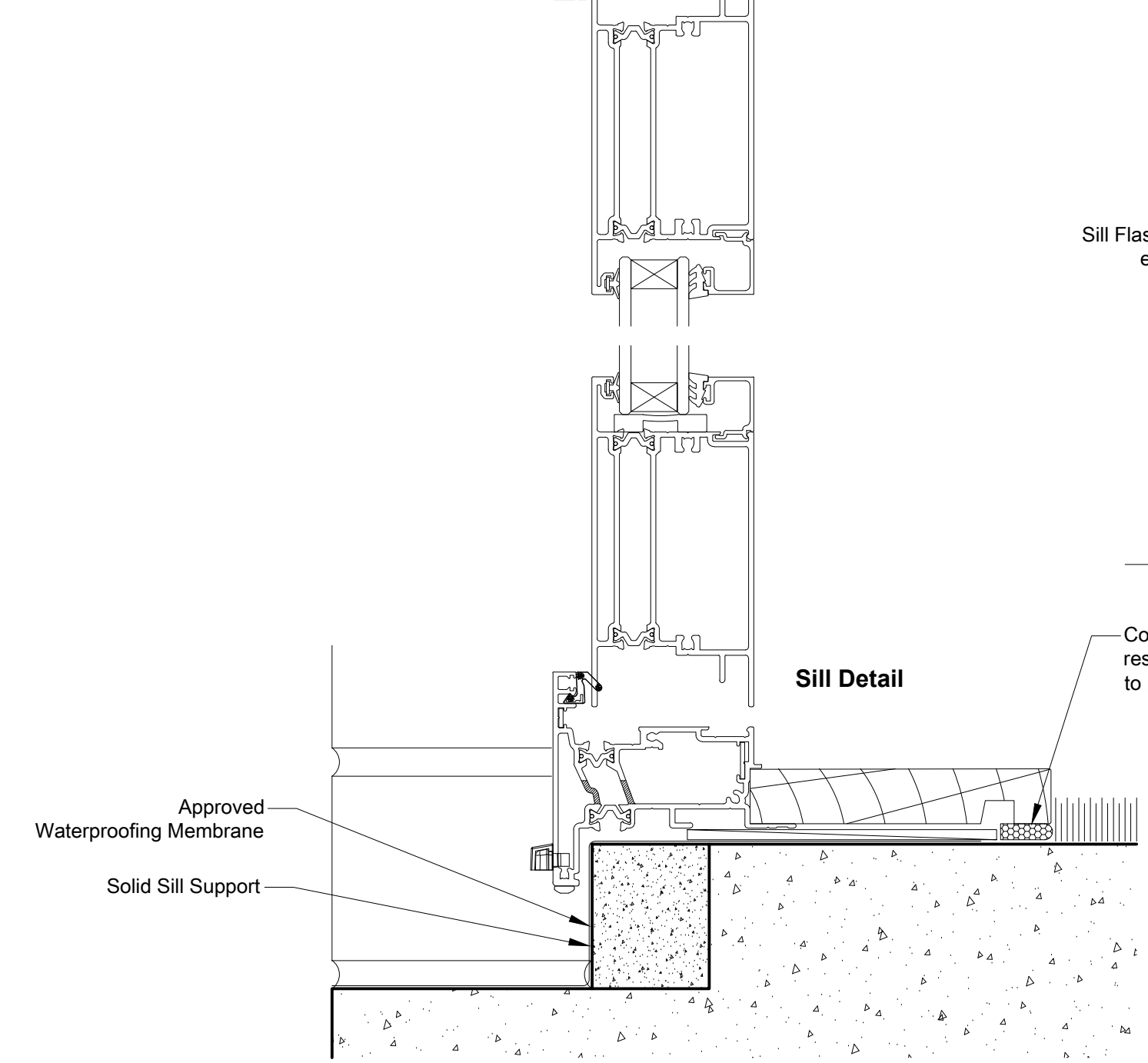
This document is intended as a guide only and is to be used in conjunction with The WANZ Guide to Window Installation as described in E2/AS1 Amendment 5 (see link below)
<http://www.wanz.org.nz/download/WANZ%20Guide%20to%20E2%20AS1%20Amd%206%20V1.3%20Dec%202014.pdf>



Head Detail



Jamb Detail



Sill Detail

DATE:
07/04/2015

SCALE:
1:2 @ A3

ISSUE:
No: 002

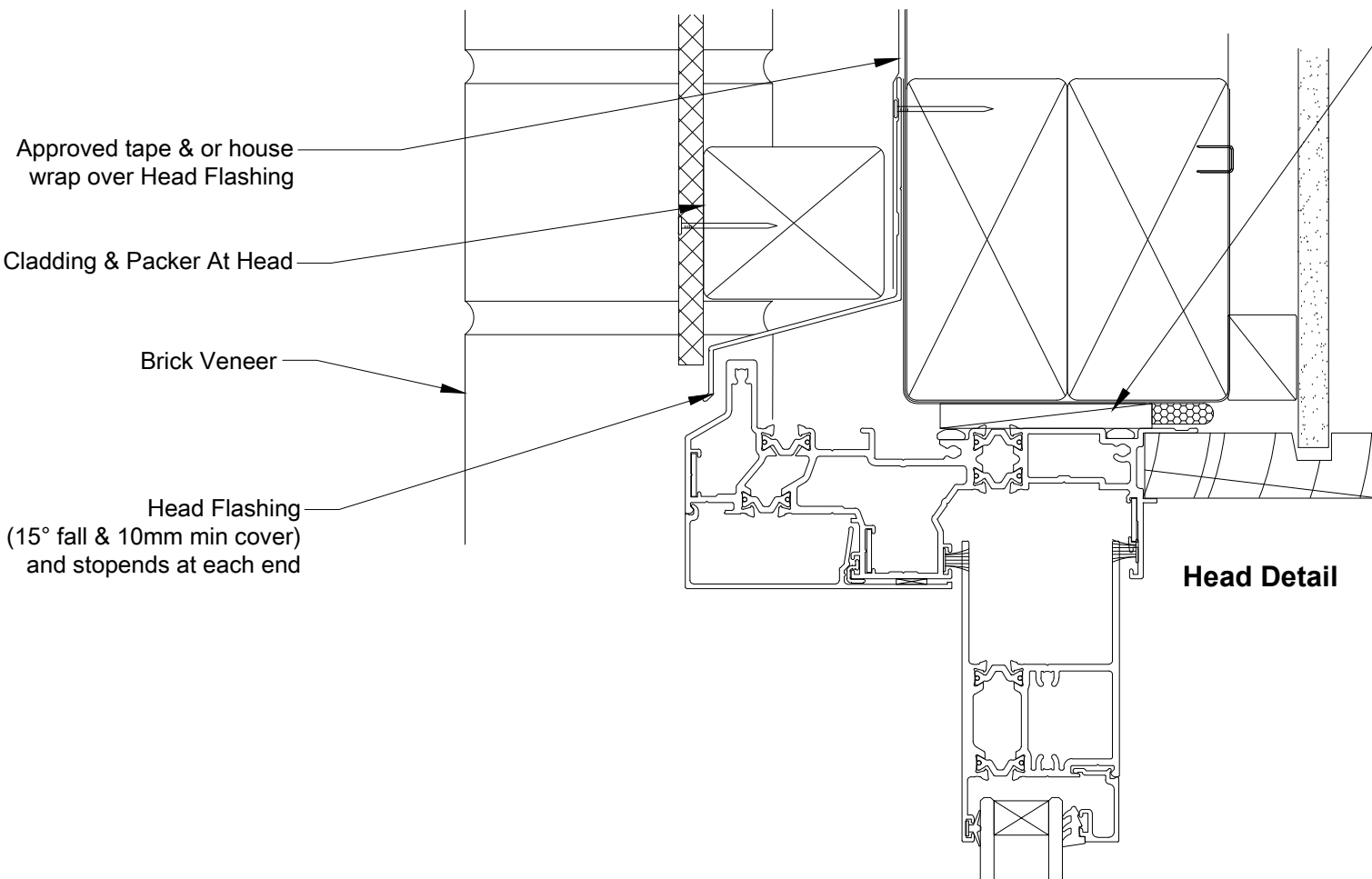
**WANZ WIS CAVITY CONSTRUCTION
BRICK VENEER - HINGED DOOR**

Page : ccBVTHRMhd

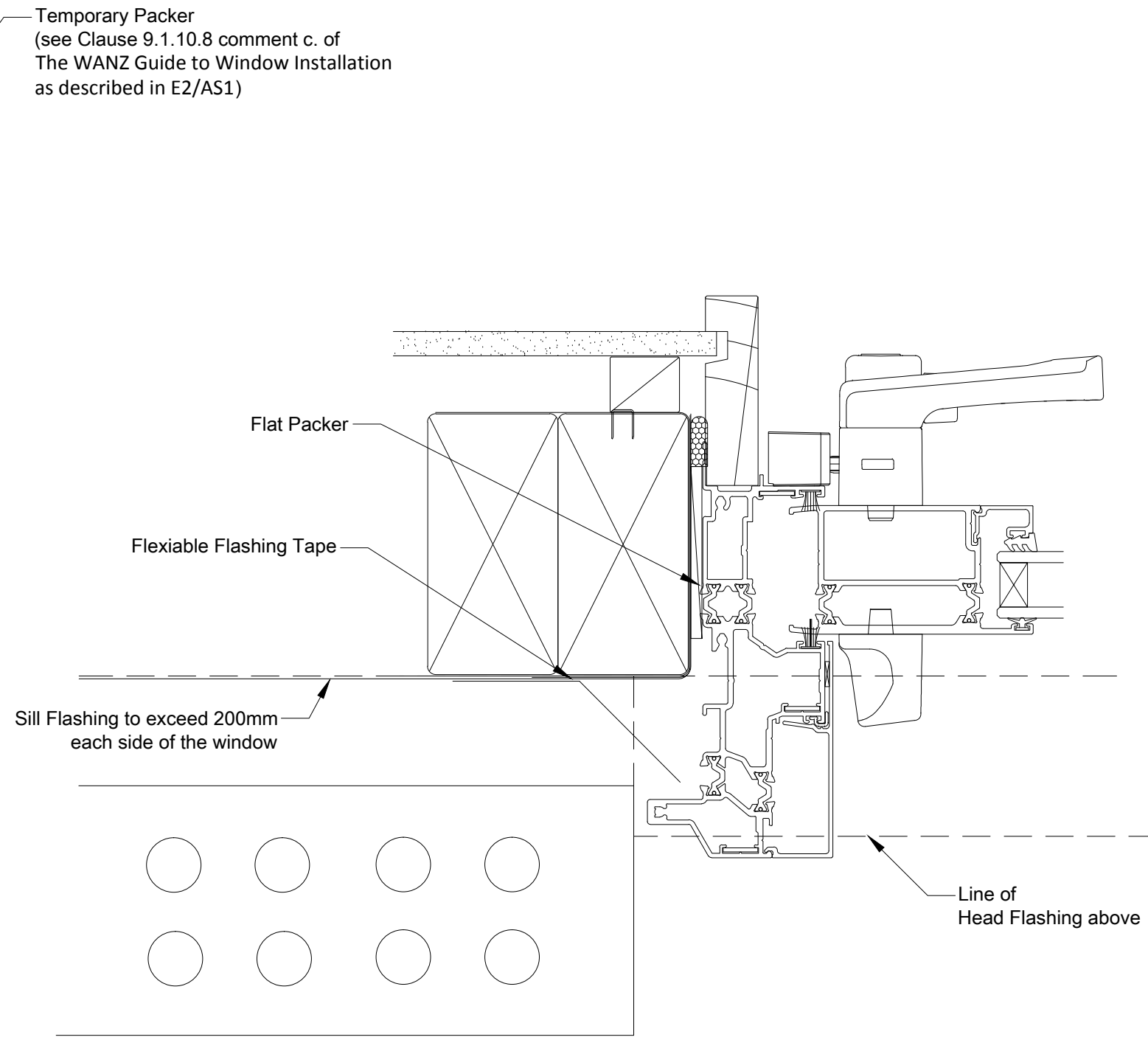
OMEGA Windows & Doors Ltd.
36 Paraiti Road, Bell Block
Private Bag 2007
New Plymouth 4342
TEL: 0800 500 141
FAX: +64 6 755 9381
www.omegawindows.co.nz



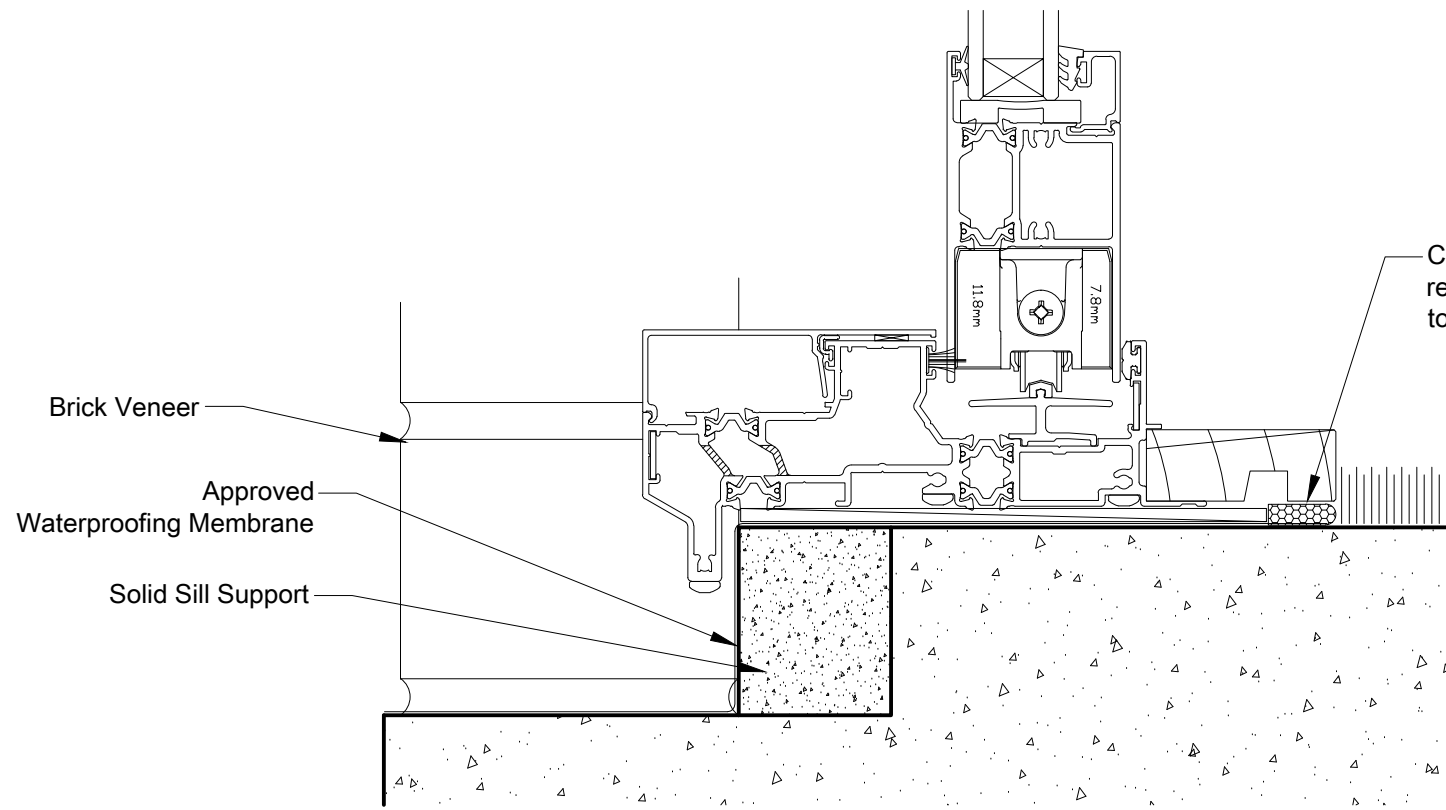
This document is intended as a guide only and is to be used in conjunction with
The WANZ Guide to Window Installation as described in E2/AS1 Amendment 5 (see link below)
<http://www.wanz.org.nz/download/WANZ%20Guide%20to%20E2%20AS1%20Amd%206%20V1.3%20Dec%202014.pdf>



Head Detail



Jamb Detail



Sill Detail

DATE:
07/04/2015

SCALE:
1:2 @ A3

ISSUE:
No: 002

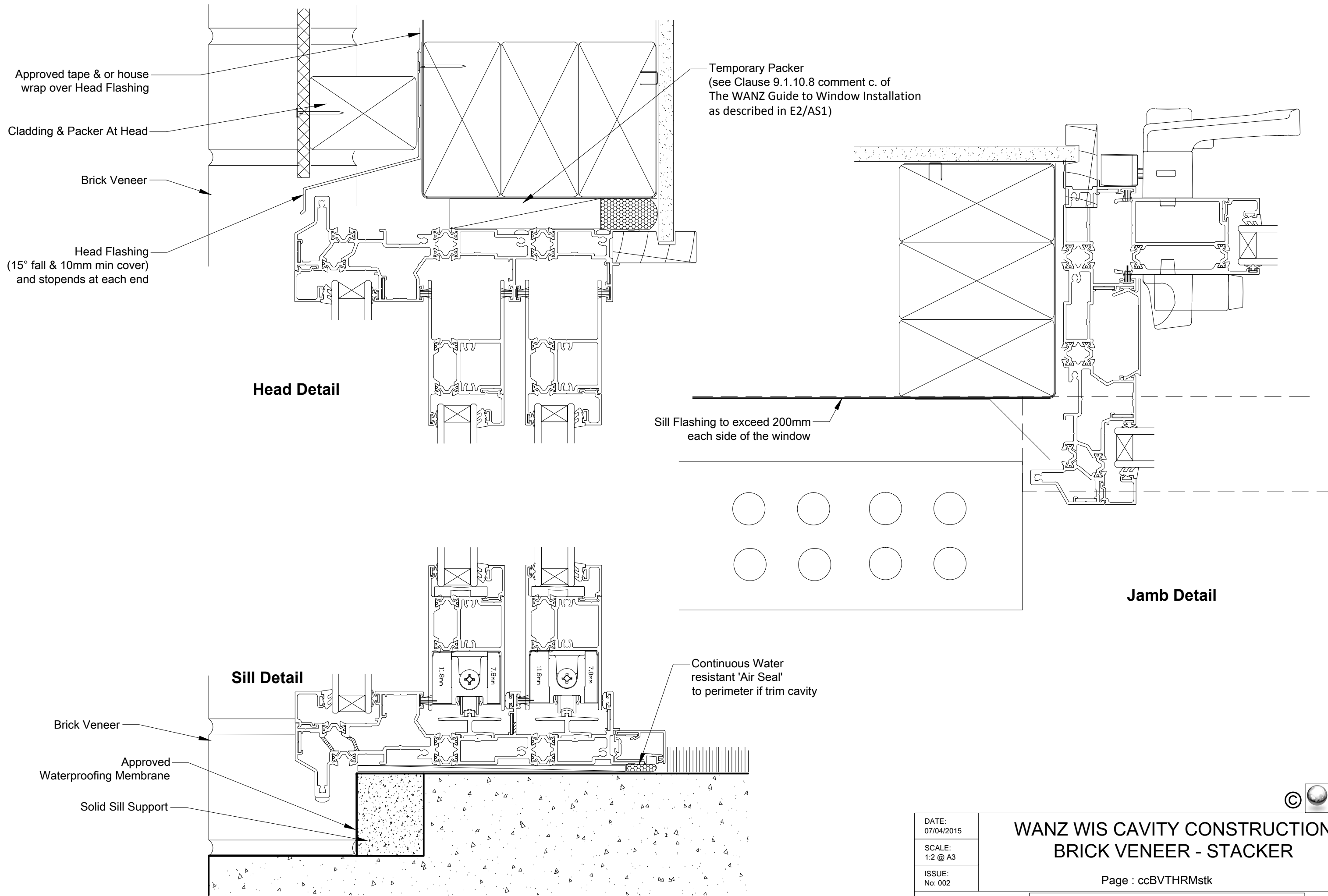
**WANZ WIS CAVITY CONSTRUCTION
BRICK VENEER - SLIDING DOOR**

Page : ccBVTHRMslid

OMEGA Windows & Doors Ltd.
36 Paraiti Road, Bell Block
Private Bag 2007
New Plymouth 4342
TEL: 0800 500 141
FAX: +64 6 755 9381
www.omegawindows.co.nz



This document is intended as a guide only and is to be used in conjunction with The WANZ Guide to Window Installation as described in E2/AS1 Amendment 5 (see link below)
<http://www.wanz.org.nz/download/WANZ%20Guide%20to%20E2%20AS1%20Amd%206%20V1.3%20Dec%202014.pdf>



Head Detail

Jamb Detail

Sill Detail

This document is intended as a guide only and is to be used in conjunction with The Wanz Guide to Window Installation as described in E2/AS1 Amendment 5 (see link below) <http://www.wanz.org.nz/download/WANZ%20Guide%20to%20E2%20AS1%20Amd%206%20V1.3%20Dec%202014.pdf>

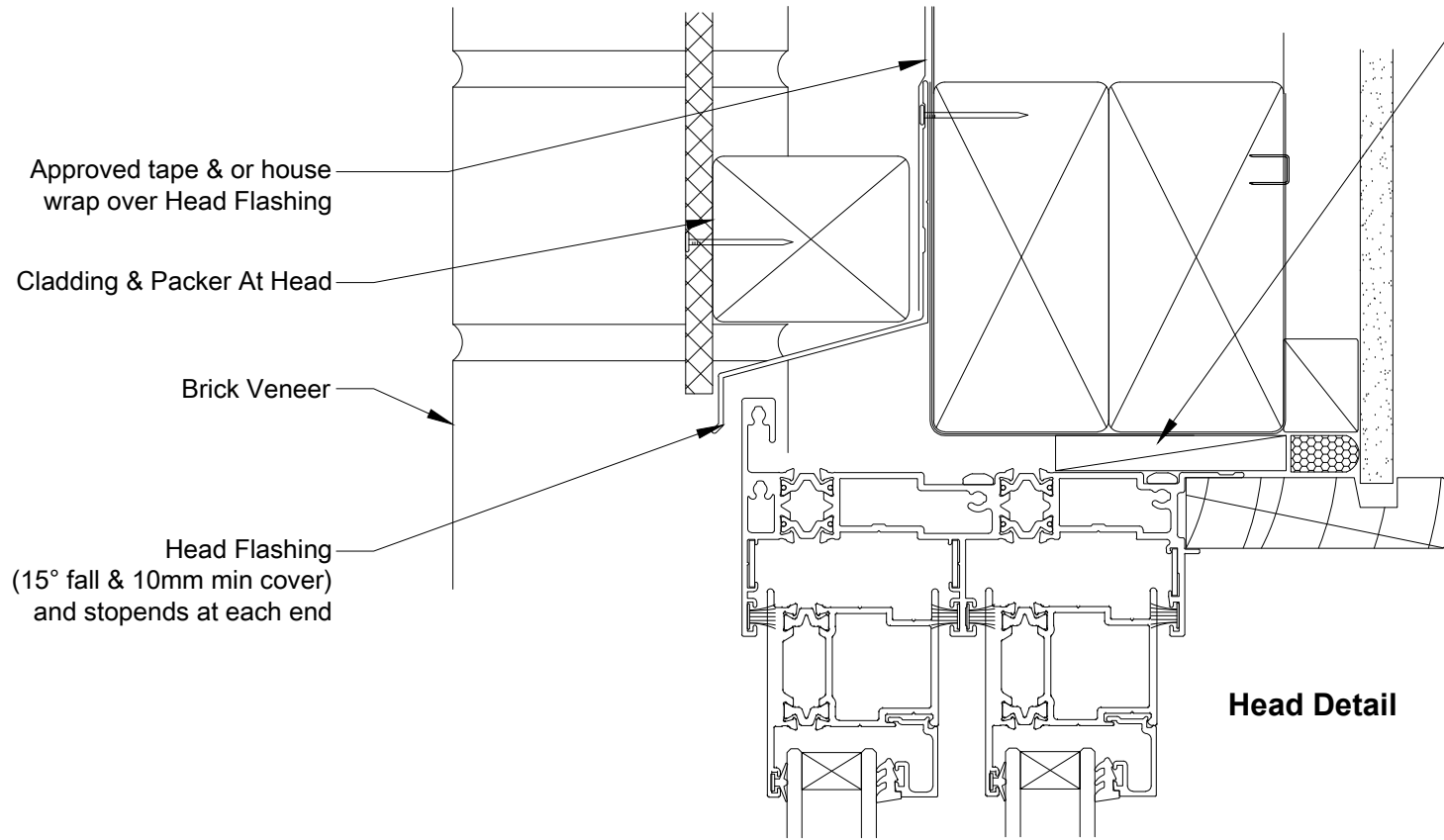
DATE:
07/04/2015
SCALE:
1:2 @ A3
ISSUE:
No: 002

**WANZ WIS CAVITY CONSTRUCTION
BRICK VENEER - STACKER**

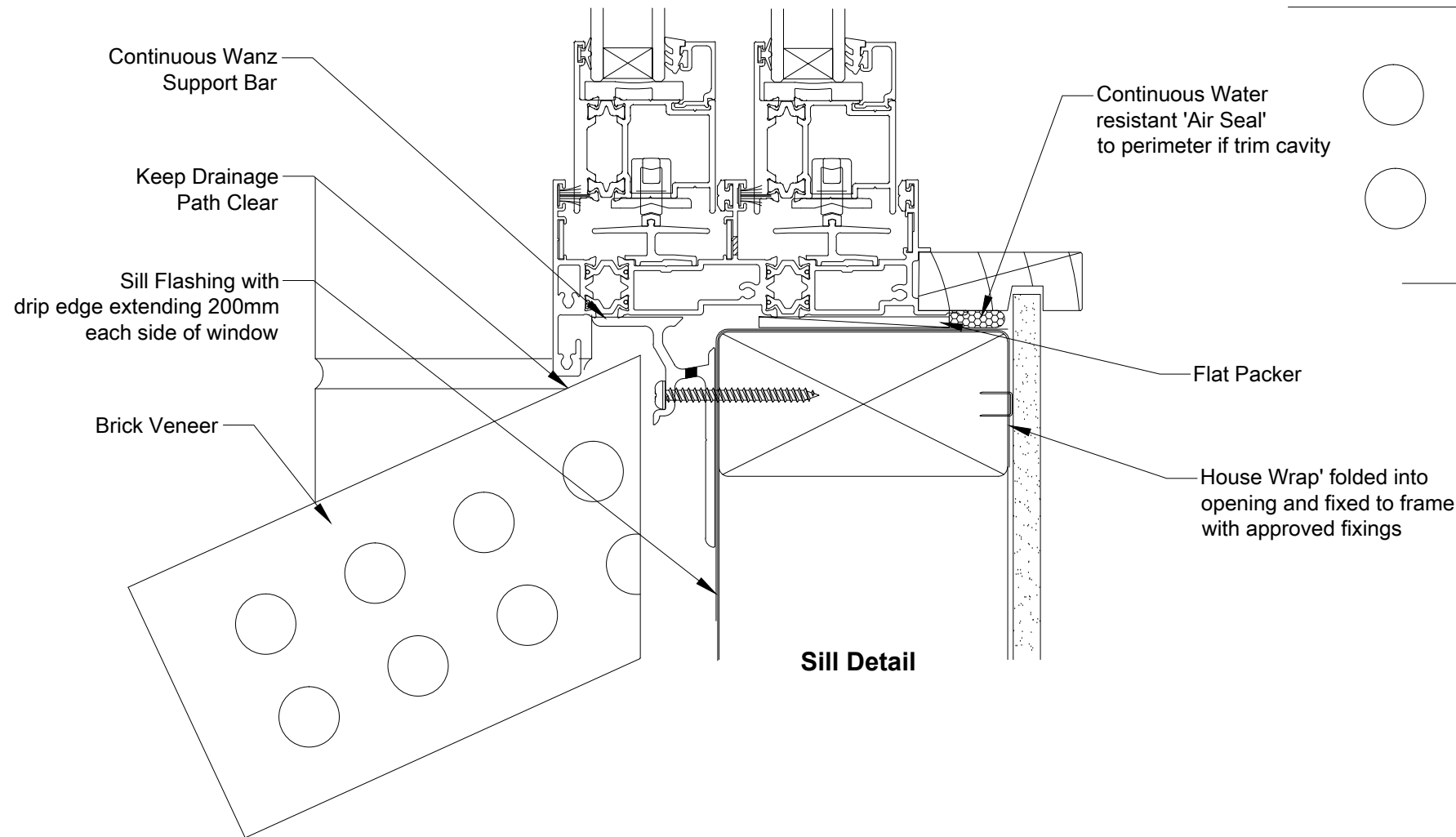
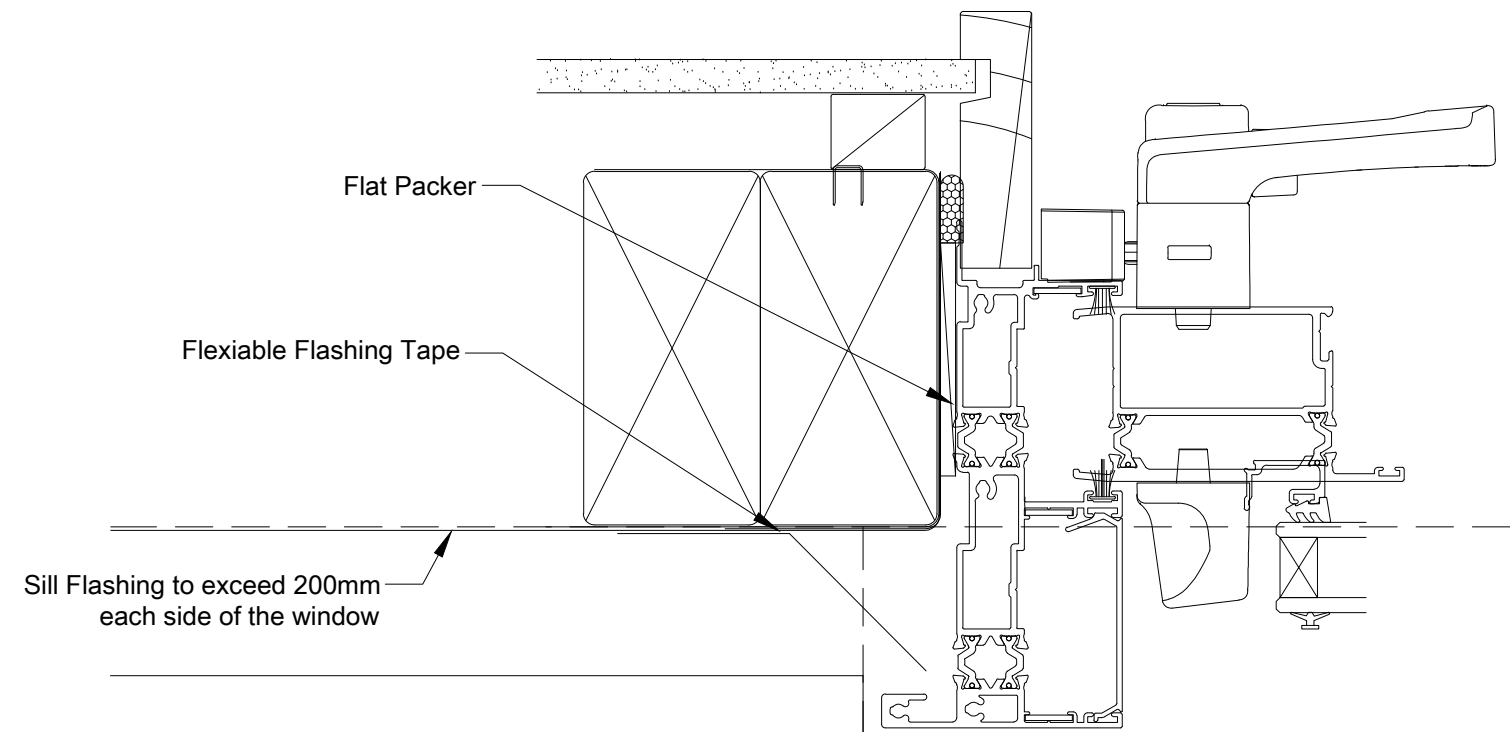
Page : ccBVTHRMstk

OMEGA Windows & Doors Ltd.
36 Paraiti Road, Bell Block
Private Bag 2007
New Plymouth 4342
TEL: 0800 500 141
FAX: +64 6 755 9381
www.omegawindows.co.nz





Temporary Packer (see Clause 9.1.10.8 comment c. of The WANZ Guide to Window Installation as described in E2/AS1)



DATE:
07/04/2015

SCALE:
1:2 @ A3

ISSUE:
No: 002

**WANZ WIS CAVITY CONSTRUCTION
BRICK VENEER - SLIDING WINDOW**

Page : ccBVTHRMsw

OMEGA Windows & Doors Ltd.
36 Paraiti Road, Bell Block
Private Bag 2007
New Plymouth 4342
TEL: 0800 500 141
FAX: +64 6 755 9381
www.omegawindows.co.nz



This document is intended as a guide only and is to be used in conjunction with The WANZ Guide to Window Installation as described in E2/AS1 Amendment 5 (see link below)
<http://www.wanz.org.nz/download/WANZ%20Guide%20to%20E2%20AS1%20Amd%206%20V1.3%20Dec%202014.pdf>